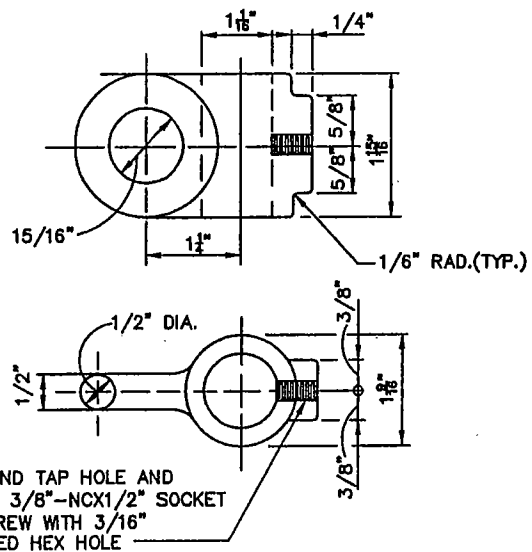
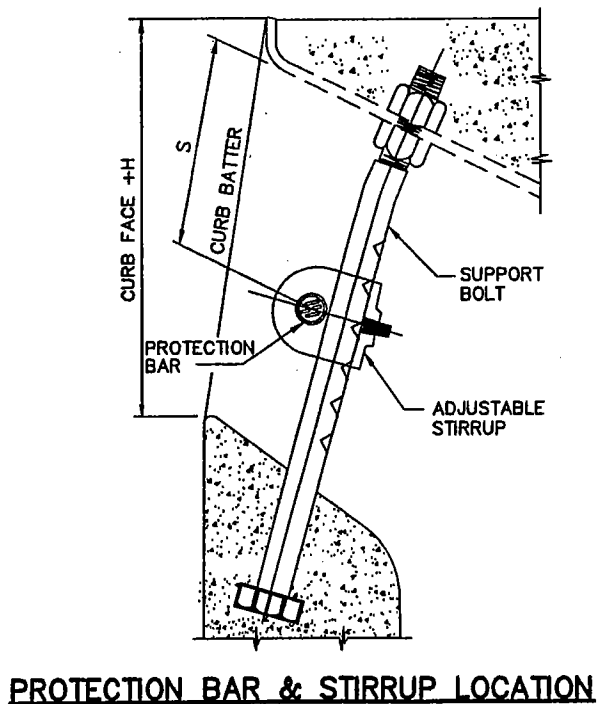
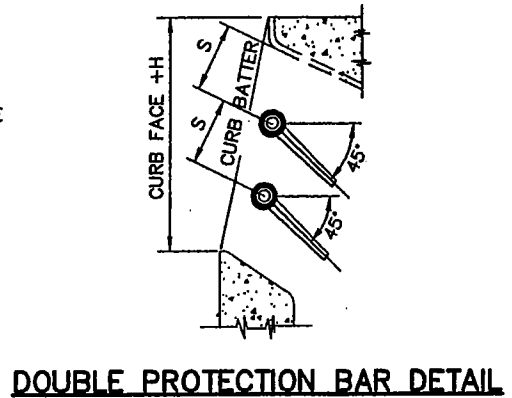
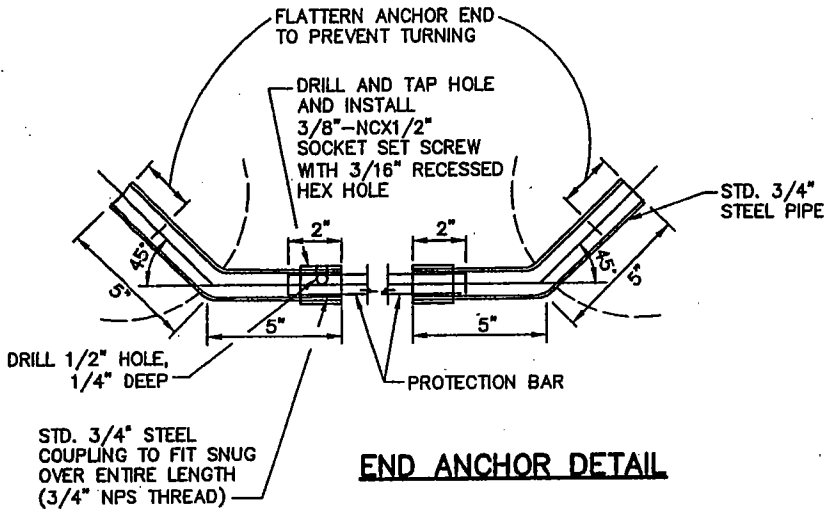
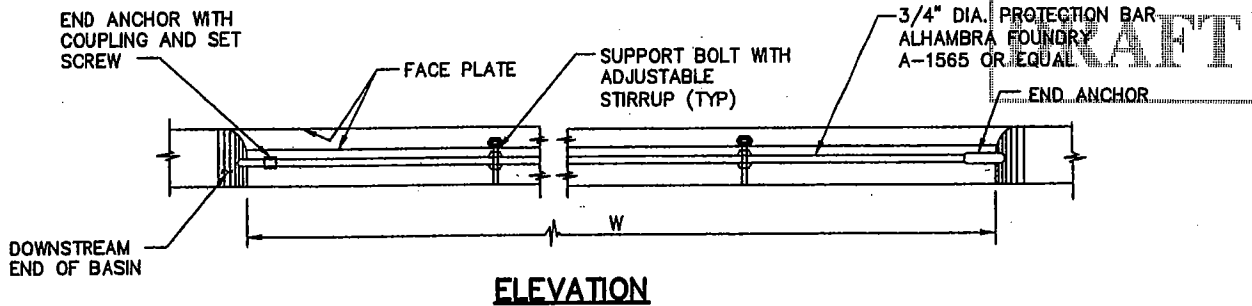


# PROTECTION BAR AND SUPPORT BOLT(S) WITH ADJUSTABLE STIRRUP(S) - (TYPE A)



## THE PORT OF LONG BEACH ENGINEERING DIVISION

REVISIONS		CATCH BASIN FACE PLATE ASSEMBLY AND PROTECTION BAR	STANDARD PLAN
NO.	DATE		D-12
1			
2			
3			
APPROVED BY: _____		R.E. NO.: _____	DATE: _____
		CHIEF HARBOR ENGINEER	3 OF 5