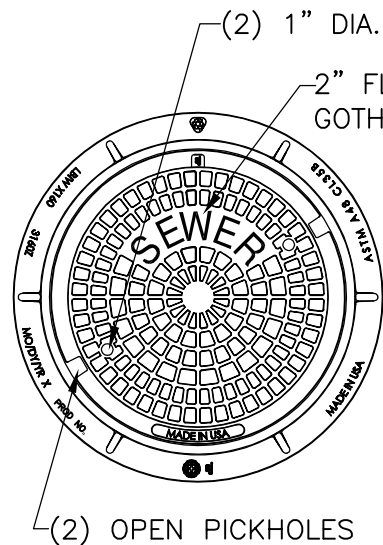
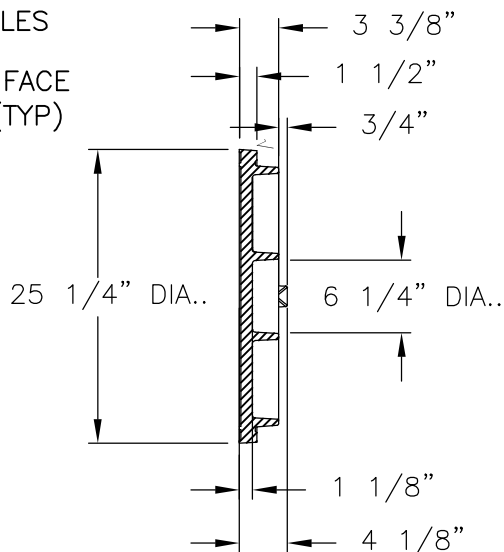


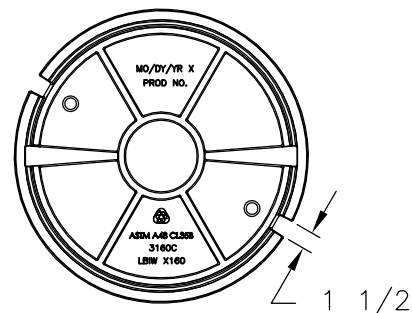
3160Z 3160C Assembly



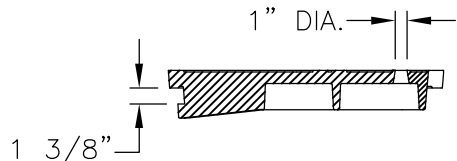
PLAN VIEW



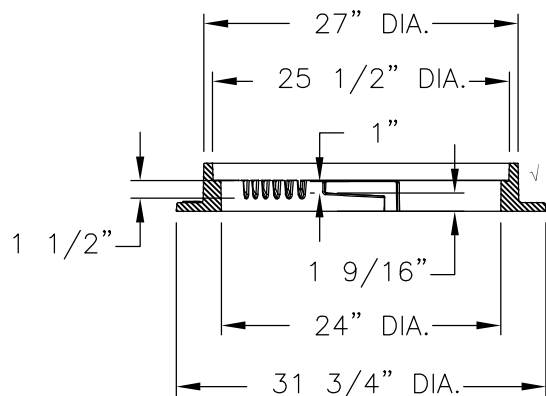
SECTION VIEW



BOTTOM VIEW



COVER SECTION



FRAME SECTION

Product Number

00316000

Design Features

- Materials
- Frame
Gray Iron (CL35B)
- Cover
Gray Iron (CL35B)

- Design Load
Heavy Duty

- Open Area
n/a

- Coating
Dipped

- √ Designates Machined Surface

Certification

-
-
-
- Country of Origin: USA

Major Components

- 00316010
- 00316022

Drawing Revision

- 11/24/2003 Designer: TCL
- 8/2/2019 Revised By: DAE

Disclaimer

Weights (lbs./kg) dimensions (inches/mm) and drawings provided for your guidance. We reserve the right to modify specifications without prior notice.

CONFIDENTIAL: This drawing is the property of EJ GROUP, Inc., and embodies confidential information, registered marks, patents, trade secret information, and/or know how that is the property of EJ GROUP, Inc. Copyright © 2012 EJ GROUP, Inc. All rights reserved.

Contact

800 626 4653
ejco.com