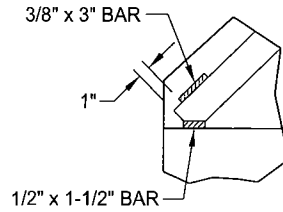
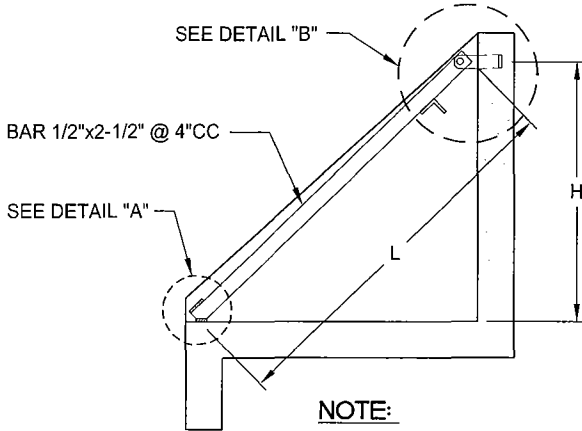


PLAN VIEW



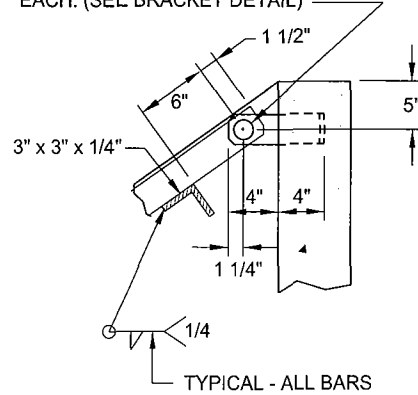
DETAIL 'A'



SIDE VIEW

NOTE:
NOTE: PIPE NOT SHOWN

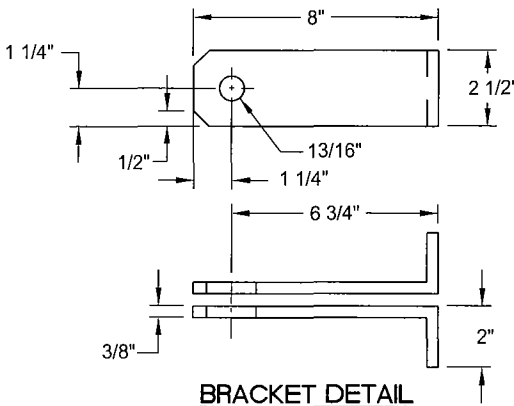
DRILL 13/16" HOLE AND CONNECT TRASH RACK TO BRACKET W/ 3/4" x 2-3/4" HEX BOLTS WITH 2 HEX NUTS EACH. (SEE BRACKET DETAIL)



DETAIL 'B'

NOTES:

1. THIS TRASH RACK MAY BE USED WITH PIPE INLET STRUCTURES.
2. MATERIAL TO CONFORM TO ASTM DESIGNATION A-36
3. ALL FILLET WELDS TO BE 1/4"
4. 3 EQUALLY SPACED HINGES REQUIRED FOR 24, 27, 30, 33, 36 AND 42 INCH PIPES. 4 EQUALLY SPACED HINGES REQUIRED FOR 48, 54 AND 60 INCH PIPES.
5. FOR DIMENTIONS AND REINFORCING OF CONCRETE SEE S-270 AND S-280
6. FOR PIPES LARGER THAN 60", TRASHRACK SHALL BE ENGINEERED.



BRACKET DETAIL

TRASH RACK DIMENSIONING

PIPE DIA.	L IN.	H IN.	A IN.	B IN.	S IN.	BAR SIZE	SIDE BARS	MAIN BARS	TOTAL BARS
24"	41	30	2.0	55	5.5	3/8x2.5	0	9	9
27"	47	33	3.5	60	4.0	3/8x2.5	2	9	11
30"	52	37	2.5	63	3.5	3/8x2.5	2	10	12
33"	61	43	2.5	63	3.5	3/8x2.5	2	10	12
36"	64	45	2.0	68	4.0	3/8x2.5	2	11	13
42"	71	51	2.0	76	4.0	3/8x2.5	2	13	15
48"	79	57	3.0	86	3.0	3/8x2.5	4	14	18
54"	93	67	2.0	96	4.0	3/8x3	4	16	20
60"	101	73	2.0	106	5.0	3/8x3.5	4	18	22

REV.	DATE	DESCRIPTION

R:\Utilstads\City_Stad_Details\Sewer_Drainage\S_290_TrashRack_24to60InPipe.dwg

CITY OF SACRAMENTO
DEPARTMENT OF UTILITIES

TRASH RACK
24" TO 60" PIPE

APPR'D BY: *D. B. J.* NO SCALE
DATE: MAY 2007 DWG. NO. **S - 290**