

3 - #4 (#13M) J BARS,
4'-8" (1.4 m) LONG,
3" (75 mm) OC CONTINUE
ADDITIONAL BARS
6" (150 mm) OC TO INSIDE
EDGE OF MANHOLE

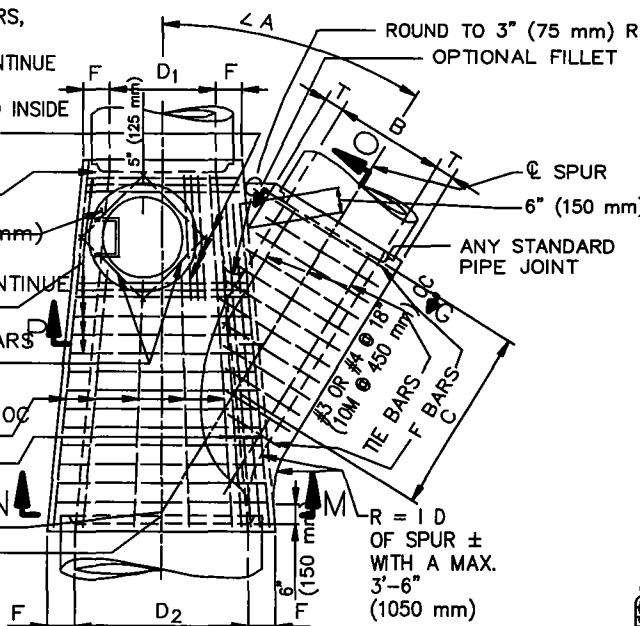
STATION
5" x 2" PIPE SEAT
(125 mm x 50 mm)
3-D BARS, 3"
(75 mm) OC CONTINUE
6" (150 mm) OC

4- #6 (#19M) E BARS
SEE NOTE 3

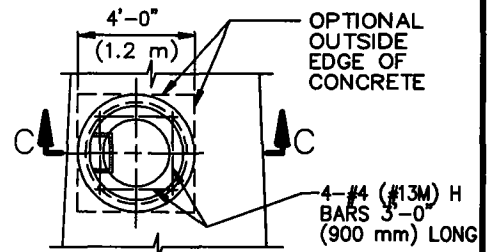
#3 OR #4 @ 18"
(10M @ 450 mm) OC
TIE BARS

A & B BARS

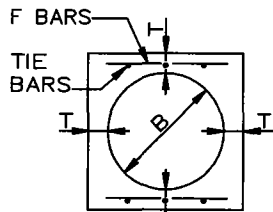
STATION POINT
STATION



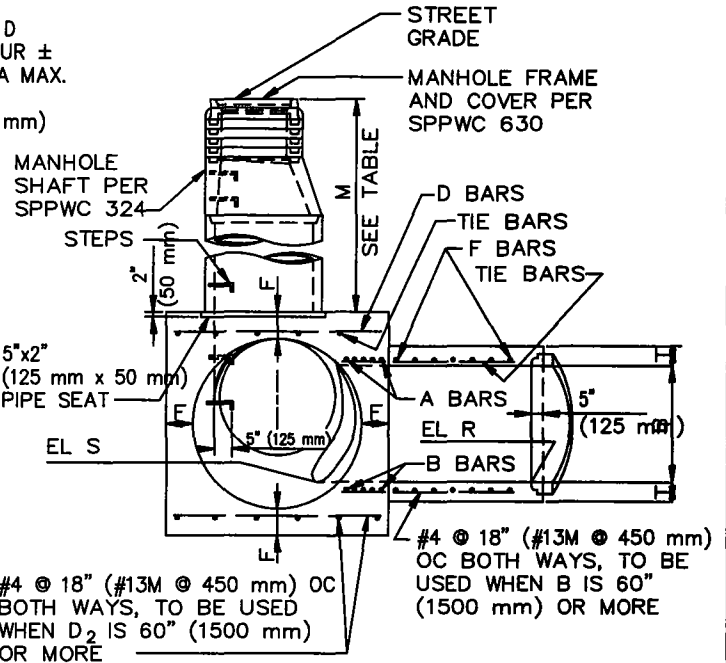
PLAN
(SHAFT NOT SHOWN)



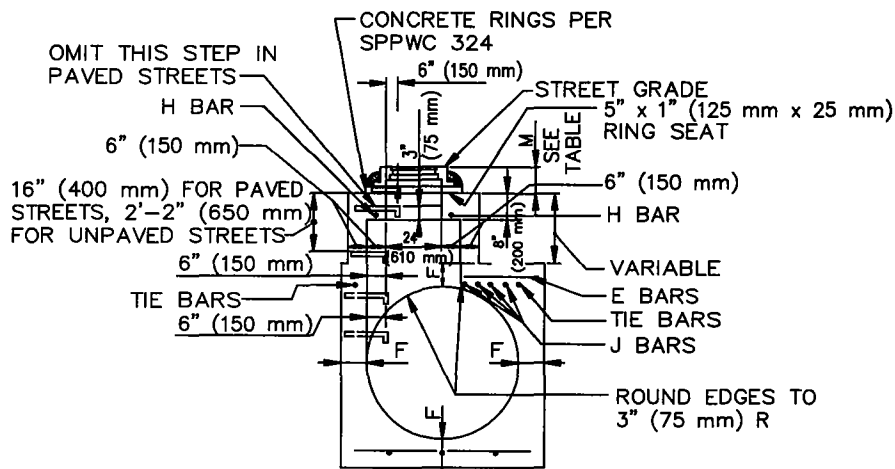
DETAIL "N"
(RINGS AND COVER NOT SHOWN)
SEE NOTE 2



SECTION G-G



SECTION N-M-P-O



SECTION C-C

STANDARD PLANS FOR PUBLIC WORKS CONSTRUCTION

PROMULGATED BY THE
PUBLIC WORKS STANDARDS INC.
GREENBOOK COMMITTEE
1992
REV. 1996, 2009

MANHOLE PIPE-TO-PIPE
(LARGE SIDE INLET)

USE WITH STANDARD SPECIFICATIONS FOR PUBLIC WORKS CONSTRUCTION

STANDARD PLAN

322-2

SHEET 1 OF 4