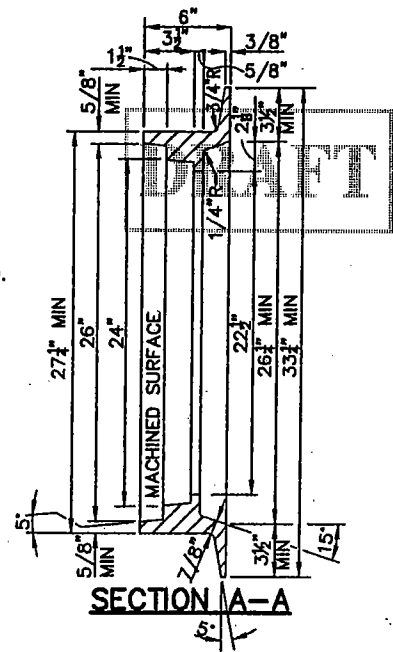


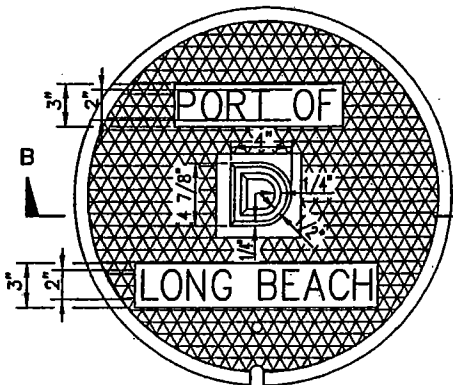
PLAN VIEW

NOTE:
ALL FILLET RADII 1/8"
UNLESS OTHERWISE NOTED.



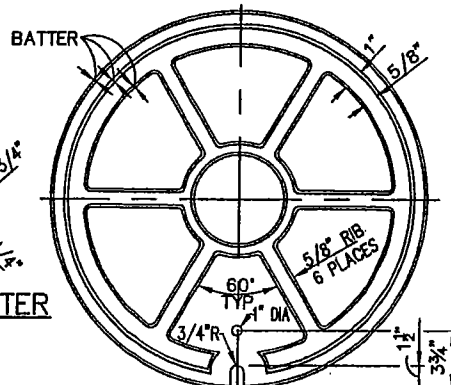
SECTION A-A

MANHOLE FRAME

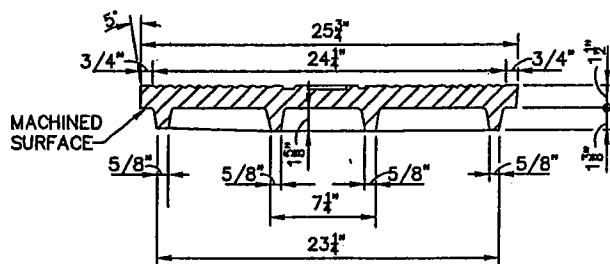


PLAN OF TOP
FOR STORM DRAIN COVER

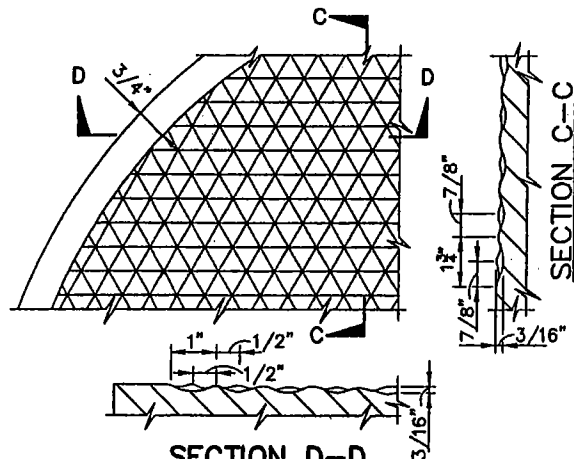
PLAN OF LETTER
FOR SEWER COVER



PLAN OF BOTTOM



SECTION B-B



SECTION D-D
DETAIL OF DIAMONDS

**MANHOLE COVER
24" MANHOLE SHAFT**

THE PORT OF LONG BEACH ENGINEERING DIVISION

REVISIONS	
NO.	DATE
1	
2	
3	

MANHOLE FRAME AND COVER

STANDARD PLAN

D-17

APPROVED BY: _____ R.E. NO.: _____ DATE: _____

CHIEF HARBOR ENGINEER

1 OF 4