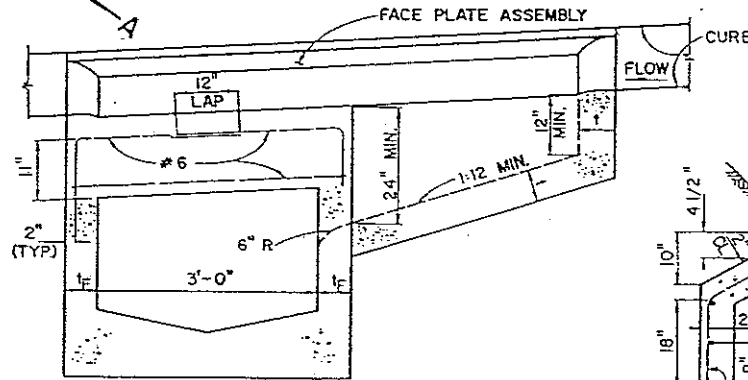
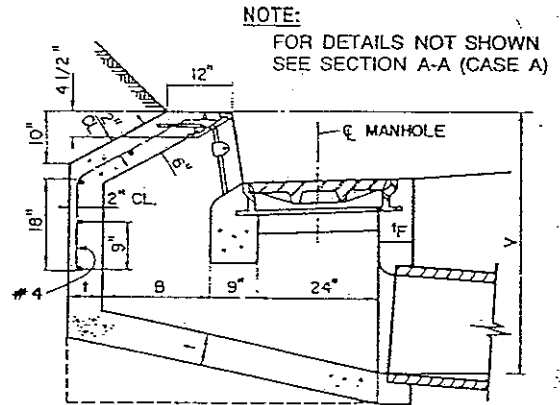


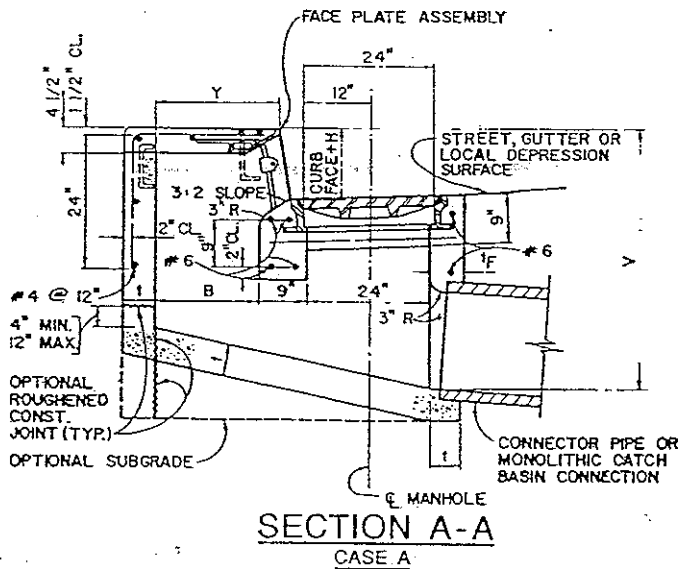
DOWEL DETAIL



SECTION B-B



SECTION A-A
CASE B



SECTION A-A
CASE A

STRUCTURAL DATA							
WALL AND SLAB DIMENSIONS AND REINFORCEMENT REQUIREMENTS							
MAX. W	MAX. V	t	IF	REINFORCEMENT REQUIRED IN			END WALL
				FRONT WALL	REAR WALL	BOTTOM SLAB	
3.5'	8'	6"	6"	NO	REINFORCEMENT	REINFORCEMENT	REQUIRED
3.5'	12'	8"	8"				
7'	6'	6"	6"				
7'	12'	8"	8"				
14'	4'	6"	6"	REINFORCEMENT	REINFORCEMENT	REINFORCEMENT	REQUIRED
14'	8'	6"	8"				
14'	12'	8"	10"				
21' AND 28'	4'	6"	6"	REINFORCEMENT	REINFORCEMENT	REINFORCEMENT	REQUIRED
	6'	6"	8"				
	8'	8"	8"				
10'	8"	8"	10"	REINFORCEMENT	REINFORCEMENT	REINFORCEMENT	REQUIRED
21'	12'	8"	10"				

FOR W > 28', V > 12' OR B > 2' SEE PROJECT PLANS

ADOPTED FROM AMERICAN PUBLIC WORKS ASSOCIATION STANDARD PLAN 307-0

CITY OF NEWPORT BEACH
PUBLIC WORKS DEPARTMENT

CURB OPENING CATCH BASIN WITH
MANHOLE IN STREET

DRAWN F.T. DATE 1/15/91

APPROVED

PUBLIC WORKS DIRECTOR
R.E. NO. 3606

DRAWING NO. STD-300-L-A