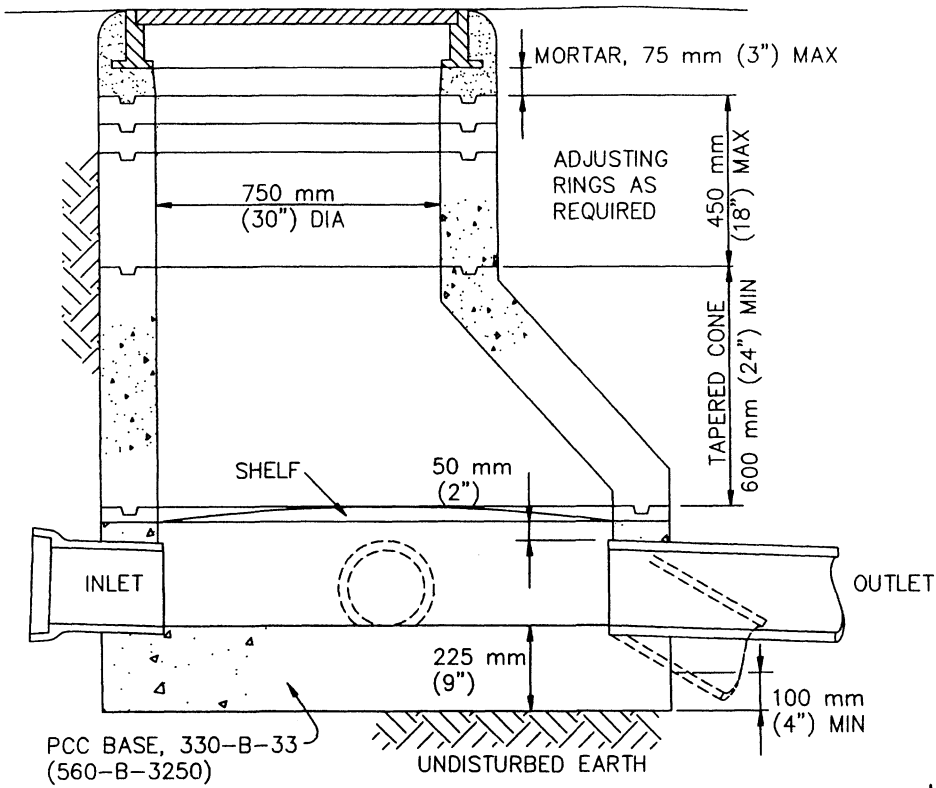
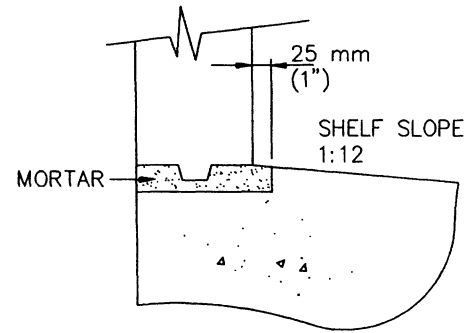


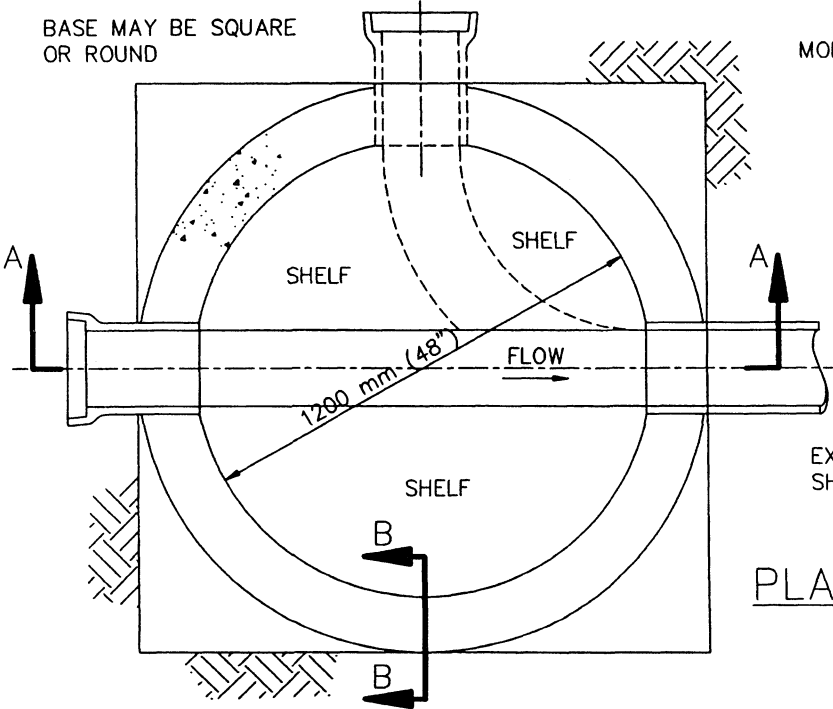
FRAME & COVER PER SPPWC 632



SECTION A-A



SECTION B-B



PLAN

EXCEPT AS SHOWN HEREON, MANHOLES SHALL CONFORM TO SPPWC 200.

STANDARD PLANS FOR PUBLIC WORKS CONSTRUCTION

PROMULGATED BY THE  
PUBLIC WORKS STANDARDS INC.  
GREENBOOK COMMITTEE  
1984  
REV. 2005

**PRECAST CONCRETE SHALLOW MANHOLE**

USE WITH STANDARD SPECIFICATIONS FOR PUBLIC WORKS CONSTRUCTION

STANDARD PLAN  
METRIC

**201-1**

SHEET 1 OF 1