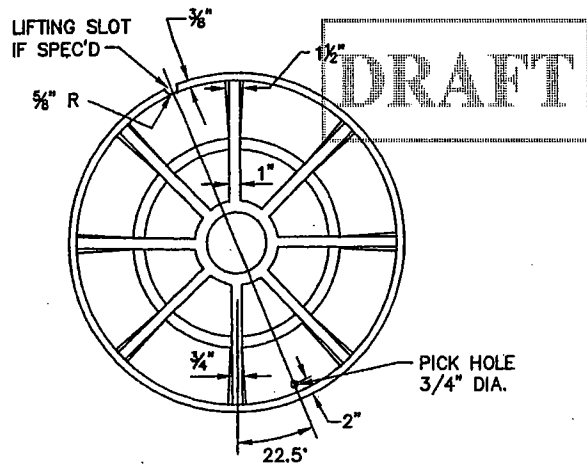
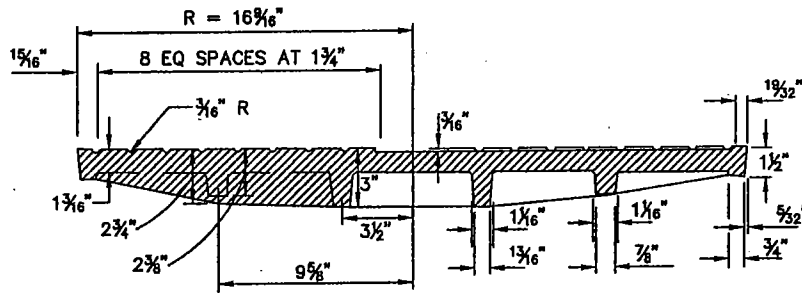


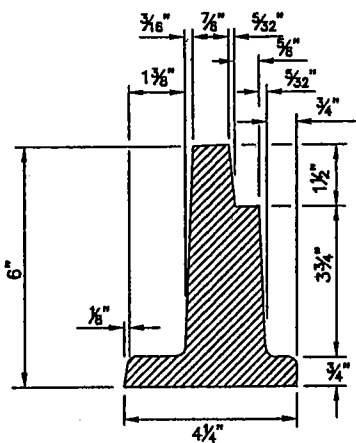
**TOP OF COVER**



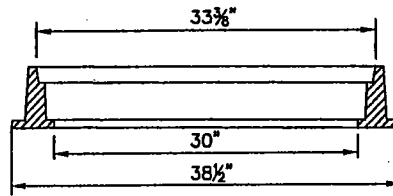
**BOTTOM OF COVER**



**SECTION A-A**



**FRAME DETAIL**



**SECTION THRU FRAME**

**30" DIAMETER CLEAR OPENING**

**THE PORT OF LONG BEACH** ENGINEERING DIVISION

REVISIONS	
NO.	DATE
1	
2	
3	

**CATCH BASIN MANHOLE FRAME AND COVER**

STANDARD PLAN

D-14

APPROVED BY: \_\_\_\_\_ R.E. NO.: \_\_\_\_\_ DATE: \_\_\_\_\_  
 CHIEF HARBOR ENGINEER

3 OF 4