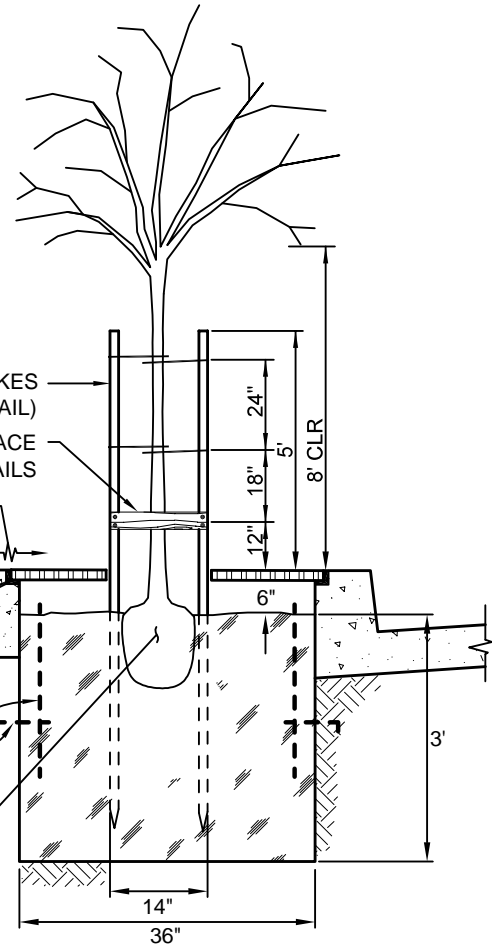
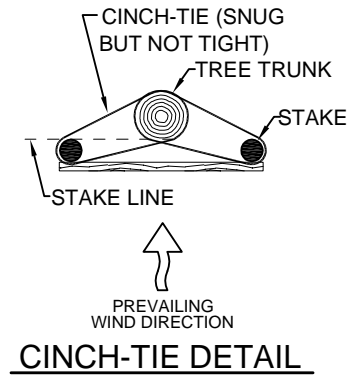
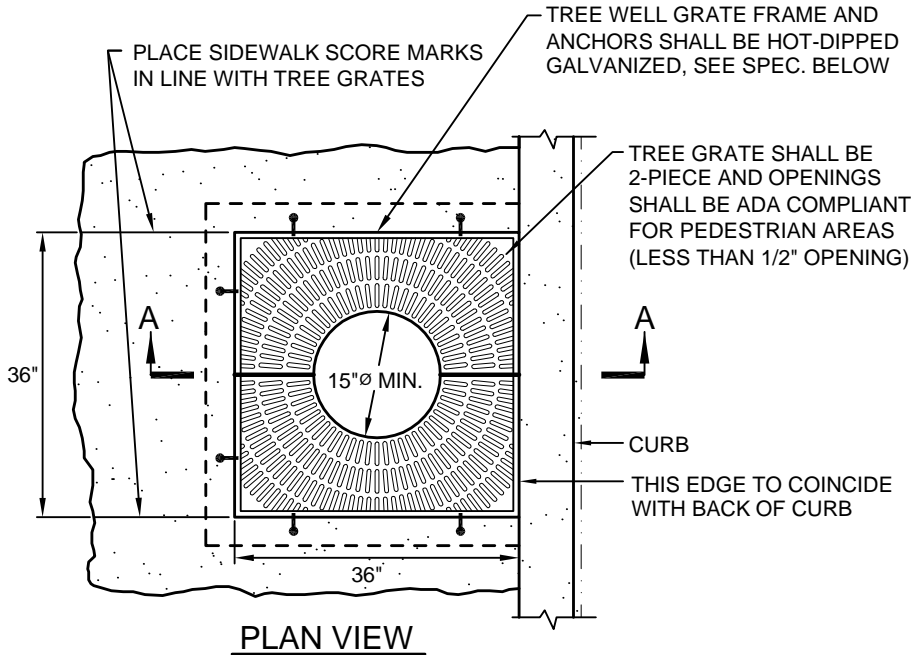


Revisions

Description	Approved	Date	Description	Approved	Date



SECTION A-A

NOTES:

1. AN ENCROACHMENT PERMIT SHALL BE REQUIRED FOR ALL PLANTINGS WITHIN THE PUBLIC RIGHT OF WAY. THE PERMIT SHALL DEFINE RESPONSIBILITY FOR MAINTENANCE AND REMOVAL IF REQUIRED.
2. TREES SHALL BE SPACED A MIN. OF 25' FT. APART AS DIRECTED BY ENCROACHMENT PERMIT, TREES SHALL BE AT LEAST 50 FEET FROM CURB RETURNS, ALL TRAFFIC SIGNALS AND SIGNS SHALL REMAIN VISIBLE
3. TREE SIZE TO BE COMPARABLE TO STANDARD 24-INCH BOX TREE, NURSERY STOCK.
4. TREES ARE TO BE SELECTED FROM A LIST OF THOSE APPROVED BY THE COUNTY PLANNING DEPARTMENT.
5. BACKFILL HOLE WITH 50/50 MIX OF COMMERCIAL PLANTING MIX AND NATIVE SOIL. LOOSEN ROOT BALL, TAMP SOIL TO ELIMINATE AIR SPACES, AND WATER SLOWLY TO PENETRATE ROOT BALL.
6. INSTALL DUCTILE CAST IRON TREE WELL GRATES, 36" SQUARE WITH MINIMUM 15" Ø CENTER OPENING.
7. INSTALL PERIMETER ROOT BARRIER WITH A MINIMUM DEPTH OF 24" FROM FINISH GRADE.
8. MAINTENANCE IS THE RESPONSIBILITY OF THE FRONTING PROPERTY OWNER. RESPONSIBILITY MUST BE TRANSFERRED TO SUBSEQUENT OWNERS BY TITLE. THE TREE SHALL BE REMOVED BY PROPERTY OWNER IF DIRECTED BY THE DEPARTMENT.

GRATE AND FRAME SPECIFICATIONS:

1. OLYMPIC FOUNDRY STA 36 w/ CI STYLE GALVANIZED FRAME WITH ANCHORS, OR NEENAH FOUNDRY R8704-A DUCTILE CAST IRON GRATE AND GALVANIZED FRAME WITH ANCHORS, OR DEPARTMENT APPROVED EQUAL.
2. ALL GRATES SHALL BE COMPLIANT WITH THE LATEST ADA RECOMMENDATIONS.



SAN LUIS OBISPO COUNTY DEPARTMENT OF PUBLIC WORKS
**SIDEWALK TREE
 PLANTER DETAIL**

Scale: NTS	Issued: Aug. 2006
Drawing No:	M-5
Sheet No:	1 OF 1