

FACE PLATE ANCHORAGE  
AND CURB SUPPORT DETAIL

(SEE SHEET 5 FOR NOTES)

CITY OF MISSION VIEJO

MISCELLANEOUS CURB INLET  
DETAILS AND NOTES

STANDARD  
PLAN NO.

404



APPROVED

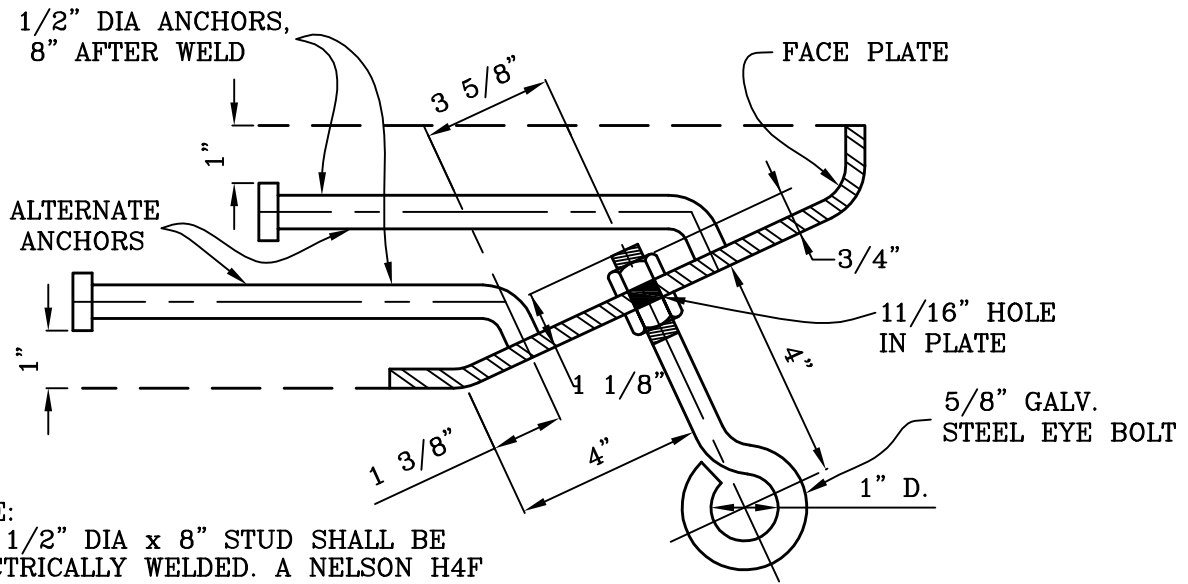
RCE 30190

DATE

*Robert Anderson*

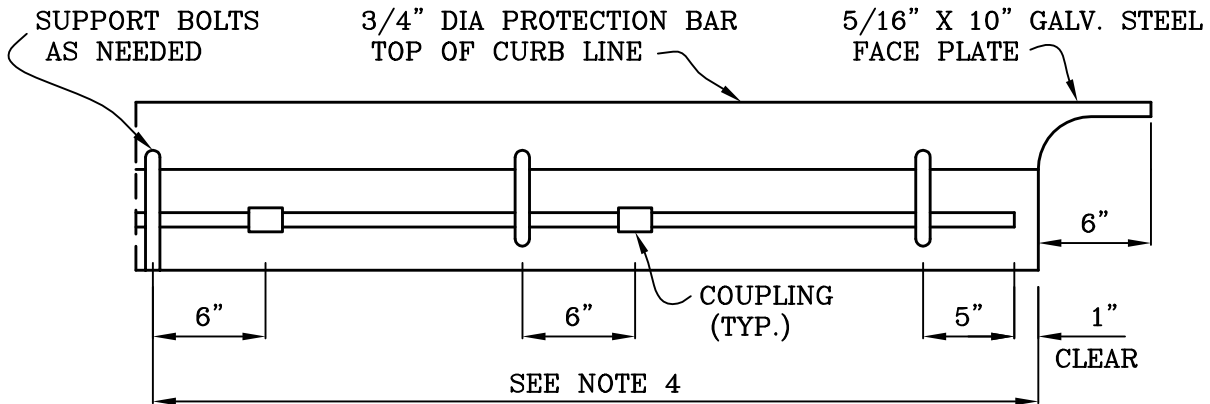
9-23-03

SHT 1 OF 5



NOTE:  
 THE 1/2" DIA x 8" STUD SHALL BE  
 ELECTRICALLY WELDED. A NELSON H4F  
 SHEAR CONNECTOR OR EQUAL SHALL BE USED.

EYE BOLT AND ALTERNATE  
 ANCHOR DETAIL FOR FACE PLATE



PROTECTION BAR DETAIL

(SEE SHEET 5 FOR NOTES)

CITY OF MISSION VIEJO

MISCELLANEOUS CURB INLET  
 DETAILS AND NOTES

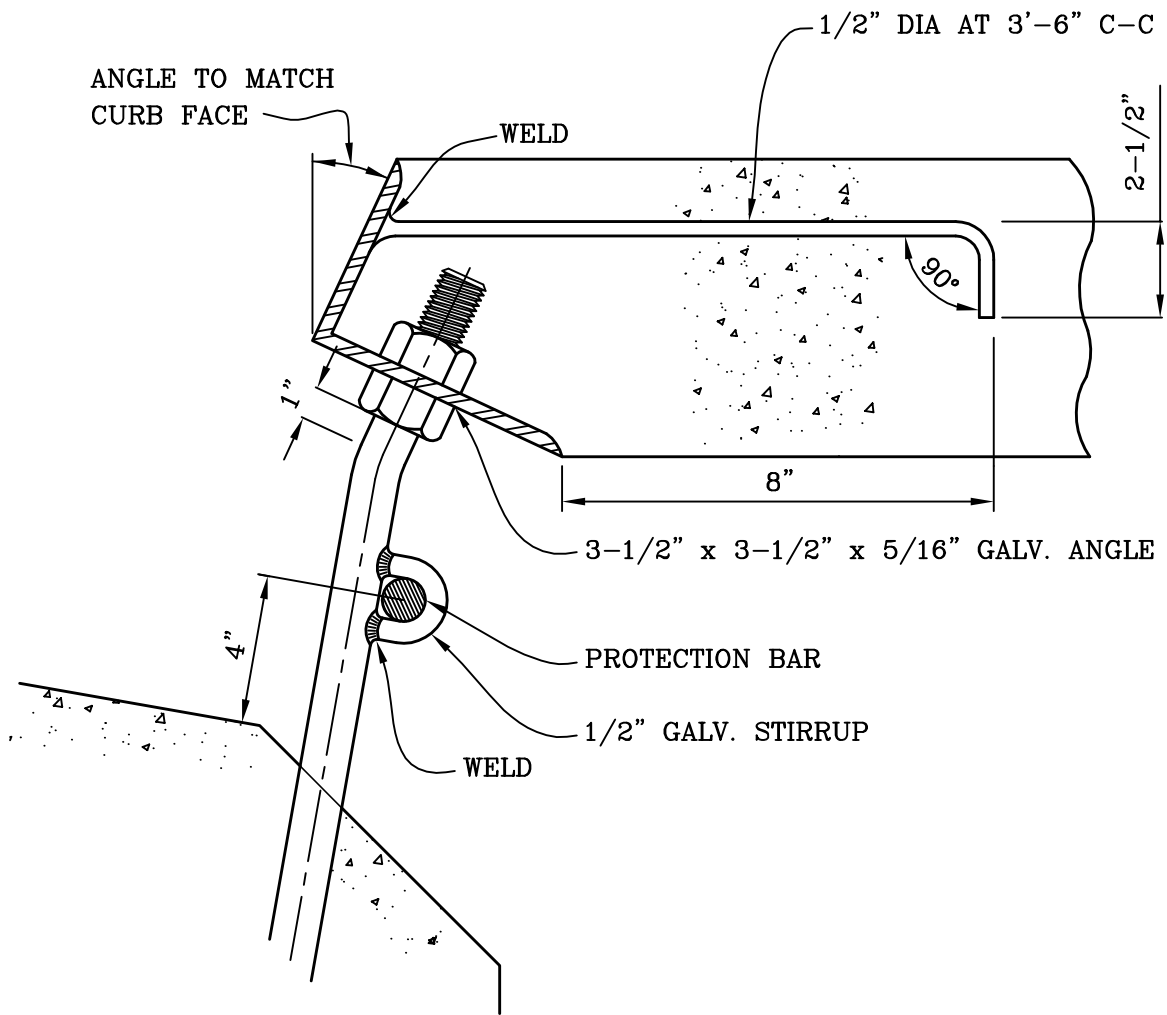
STANDARD  
 PLAN NO.

404



*Robert Anderson* 9-23-03  
 APPROVED RCE 30190 DATE

SHT 2 OF 5



DETAIL A

(SEE SHEET 5 FOR NOTES)

CITY OF MISSION VIEJO

MISCELLANEOUS CURB INLET  
DETAILS AND NOTES

STANDARD  
PLAN NO.

404



*Robert Anderson*

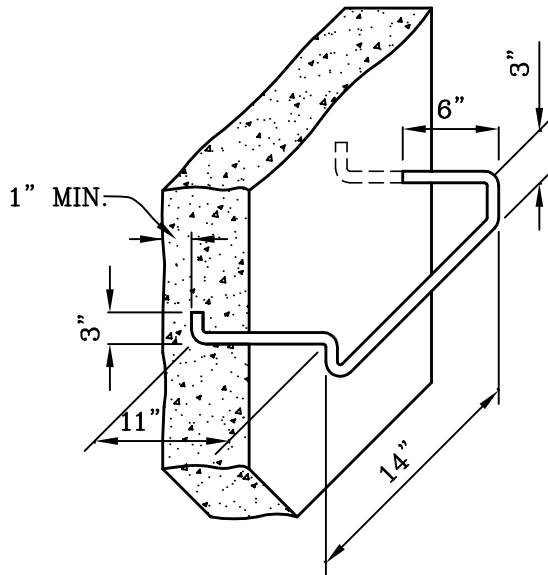
9-23-03

APPROVED

RCE 30190

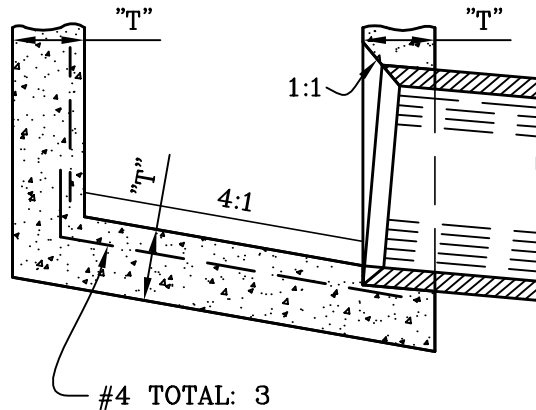
DATE

SHT 3 OF 5



3/4" GALV. STEEL STEP  
(SEE NOTE 17 ON SHEET 5)

STEP DETAIL



ALTERNATE  
REINFORCED FLOOR  
SEE NOTE 20 ON SHEET 5

CITY OF MISSION VIEJO

MISCELLANEOUS CURB INLET  
DETAILS AND NOTES

STANDARD  
PLAN NO.

404



*Robert Anderson*

9-23-03

APPROVED

RCE 30190

DATE

SHT 4 OF 5

NOTES:

1. ONE EYE BOLT SHALL BE PLACED 12" FROM EACH END OF FACE PLATE.
2. EYE BOLTS SHALL BE SYMMETRICALLY SPACED IN THE CURB OPENING SO THAT THE UNSUPPORTED SPAN IS NOT MORE THAN 4'. SUPPORT BOLTS, WHEN USED, SHOULD BE CONSIDERED AS EYE BOLTS IN THE SPACING.
3. ONE COUPLING SHALL BE PLACED 6" TO THE RIGHT OR LEFT OF EACH EYE BOLT WITH THE EXCEPTION OF THE LAST EYE BOLT. COUPLINGS SHALL BE THREADED TO FACILITATE REMOVAL OF PROTECTION BAR.
4. GALVANIZED STEEL SUPPORT BOLTS SHALL BE INSTALLED WHEN LENGTH OF CURB OPENING EXCEEDS 7'-0" AND SHALL BE SPACED AT NOT MORE THAN 7'-0" O.C. AND NOT LESS THAN 5'-0" O.C.
5. FACE PLATE ANCHORS SHALL BE UNIFORMLY SPACED NOT TO EXCEED 4' BETWEEN CENTERS AND SHALL BE PLACED 4 1/2" FROM EACH END OF FACE PLATE.
6. A COUPLING MAY BE OMITTED PROVIDED THE PROTECTION BAR IS REMOVABLE AFTER INSTALLATION.
7. ALL METAL SHALL BE GALVANIZED AFTER FABRICATION.
8. SUPPORT BOLTS, EYE BOLTS, AND ANCHORS MAY BE ATTACHED BY A FULL PENETRATION BUTT WELD AS AN ALTERNATE.
9. PLACE A 3/4" PROTECTION BAR HORIZONTALLY ACROSS THE ENTIRE LENGTH OF THE CURB OPENING.
10. CURB SECTION SHALL MATCH ADJACENT CURB TYPE.
11. HEIGHT OF CURB OPENING WILL VARY WITH THE TYPE OF CURB AND THE DEPTH OF THE LOCAL DEPRESSION (STD. PLAN 406).
12. USE OF ANGLE FACE PLATE AS SHOWN ON SHEET 3 SHALL BE ALLOWED ONLY WHEN ON APPROVED PLANS.
13. FOR "T" WALL THICKNESS SEE TABLE ON INLET STD. PLAN.
14. REINFORCING STEEL SHALL BE #4 BARS AT 12" = CENTERS PLACED 1 1/2" CLEAR TO INSIDE OF BOX UNLESS OTHERWISE SHOWN.
15. STEPS - NONE REQUIRED WHEN "H" IS 3'-6" OR LESS. INSTALL ONE STEP 16" ABOVE FLOOR WHEN "H" IS MORE THAN 3'-6" AND LESS THAN 5'-0". WHERE "H" IS MORE THAN 5'-0", STEPS SHALL BE EVENLY SPACED AT 16" INTERVALS FROM 16" ABOVE FLOOR TO WITHIN 12" OF THE TOP OF THE BOX. PLACE STEPS IN WALL WITHOUT PIPE OPENINGS.
16. PIPE(S) CAN BE PLACED IN ANY WALL.
17. EXCEPT FOR INLETS USED AS JUNCTION BOXES, BASIN FLOORS SHALL HAVE A MINIMUM SLOPE OF 4:1 FROM ALL DIRECTION TOWARD OUTLET PIPE AND SHALL HAVE A WOOD TROWEL FINISH.
18. ALTERNATIVE REINFORCED FLOOR AT THE OPTION OF THE CONTRACTOR.

CITY OF MISSION VIEJO

MISCELLANEOUS CURB INLET  
DETAILS AND NOTES

STANDARD  
PLAN NO.

404



*Robert Anderson*

9-23-03

APPROVED

RCE 30190

DATE

SHT 5 OF 5