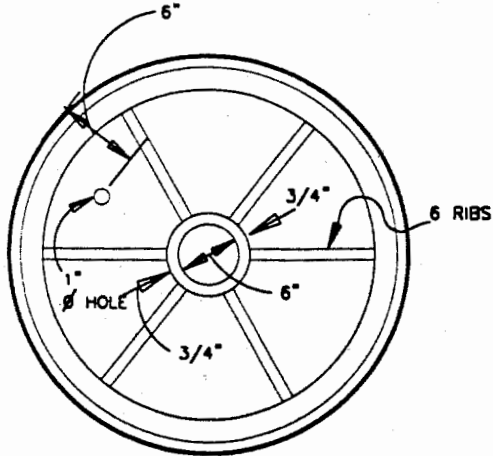
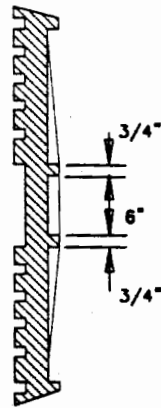


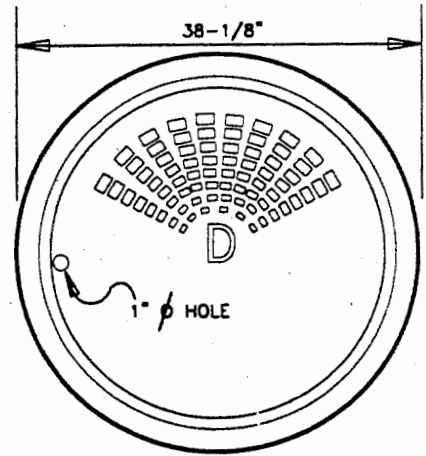
SECTION
FRAME AND COVER



BOTTOM VIEW



SECTION



PLAN

COVER

NOTES:

1. SEATS OF FRAME AND COVER SHALL BE MACHINED TO PREVENT NOISE.
2. TOTAL WEIGHT OF FRAME AND COVERS - 580 lbs MIN.
3. MATERIAL: CAST IRON (BITUMINOUS COATED).
4. SURFACE OF LETTERS SHALL BE FLUSH WITH FINISHED SURFACE OF COVER

SAN BERNARDINO COUNTY TRANS. DEPT.		36" MANHOLE FRAME & COVER	205
KEN A. MILLER Director of Transportation			