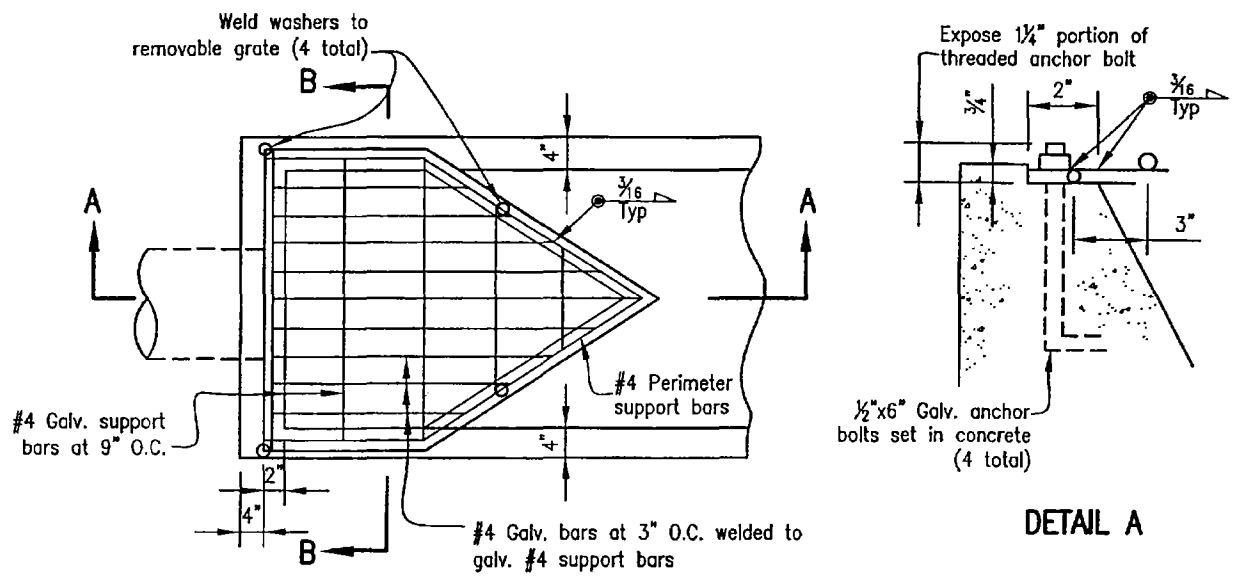


SECTION A-A

SECTION B-B



PLAN VIEW

DETAIL A

NOTES:

1. Ground shall be pre-wetted to the satisfaction of the Grading Inspector prior to placement of concrete.
2. Material for construction of down drain shall be concrete reinforced with 6"x6"x10ga. W.W.M.
3. Down drain to pipe transition shall not be used within public road right-of-way.
4. Grate shall be hot dip galvanized after fabrication.



4-2-04
DATE APPROVED
[Signature]
PUBLIC WORKS DIRECTOR/C.E.
[Signature]
ASSISTANT CITY ENGINEER

CITY OF ORANGE PUBLIC WORKS DEPARTMENT

DOWNDRAIN TO PIPE TRANSITION

STANDARD
PLAN No.
331