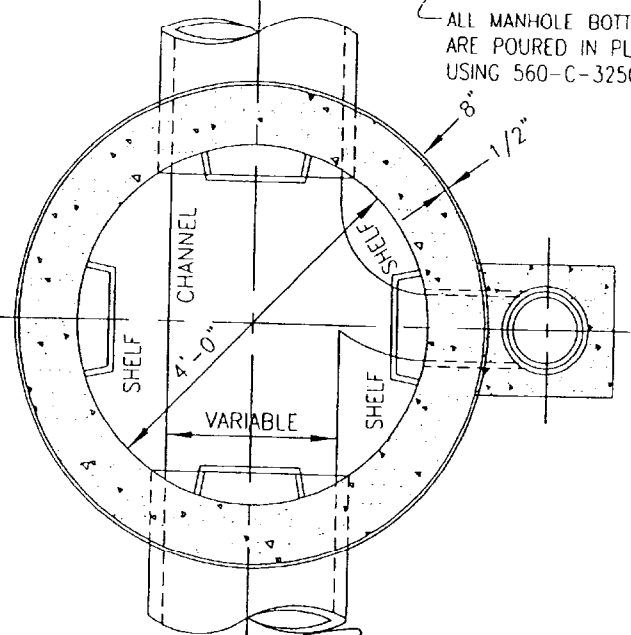


ALL MANHOLE BOTTOMS ARE POURED IN PLACE USING 560-C-3250 CONCRETE

NOTES:

1. FOR 15" SEWERS AND LARGER, TURN 8" ARCH OVER PIPE.
2. FOR 12" SEWERS AND UNDER, TURN 4" ARCH OVER PIPE.
3. THE LOWEST MANHOLE STEP SHALL BE PLACED NOT LESS THAN 16", NOT MORE THAN 24" ABOVE SHELF.
4. THE UPPER MANHOLE STEP SHALL BE PLACED BETWEEN THE TOP OF THE MANHOLE AND THE MANHOLE COVER FRAME AND SHALL PROJECT NOT MORE THAN 5" INSIDE MANHOLE.



APPROVED BY: *Ricardo Sandoval*
 CITY ENGINEER **RICARDO SANDOVAL** DATE 10/18/06
 REVIEWED BY: DC
 REVISION NUMBER: _____

CITY OF FONTANA	
STD DROP MANHOLE FOR 6" TO 36" PIPE	
STD. PLAN NO. 2002	SHT 1 OF 1

07/10/06