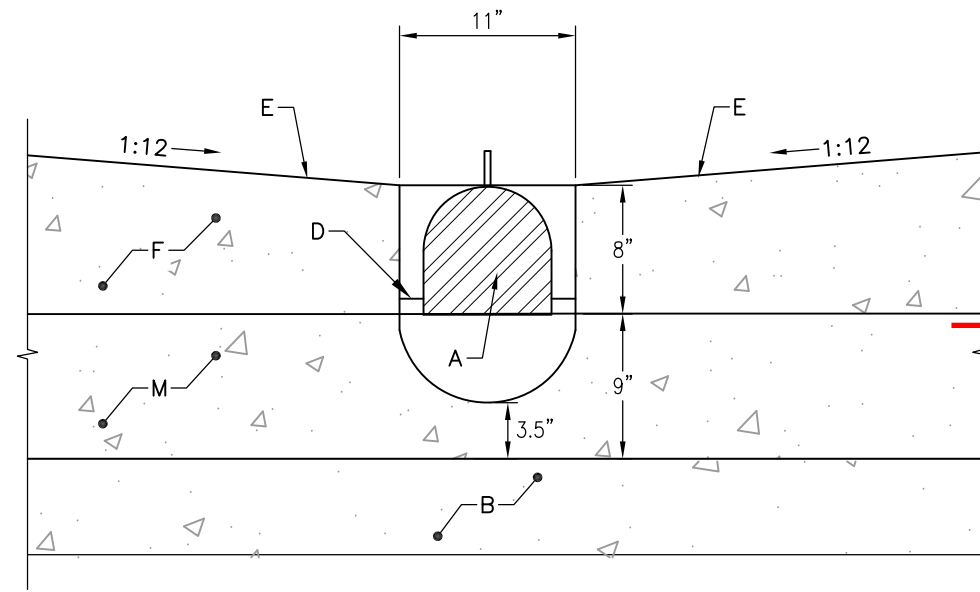
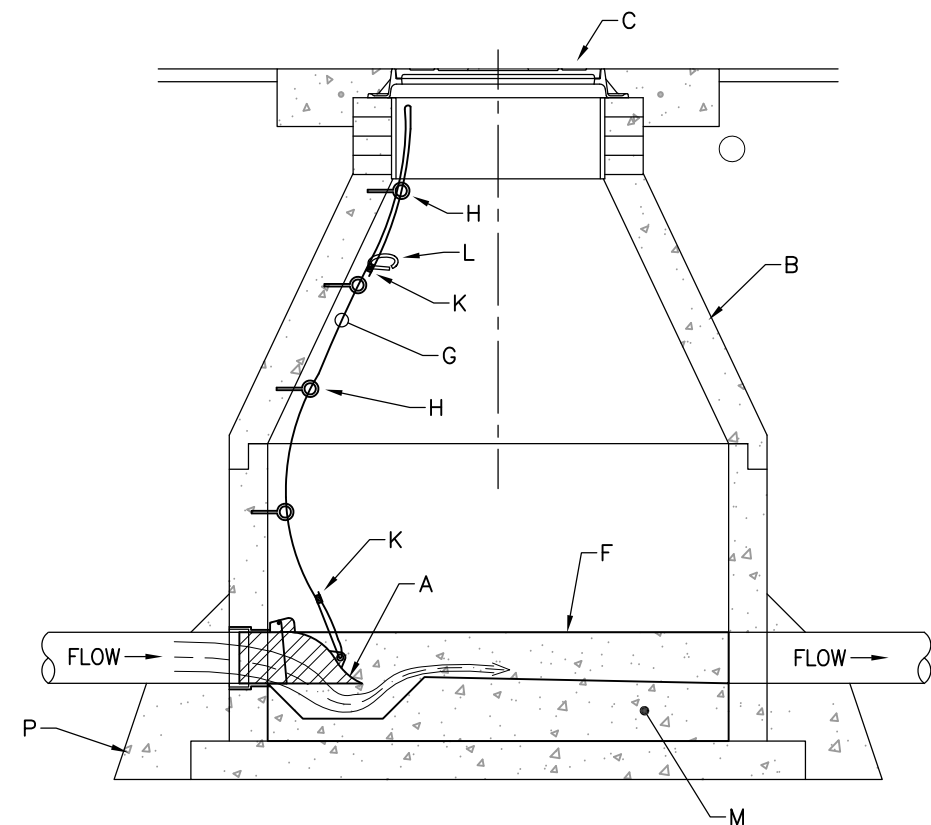


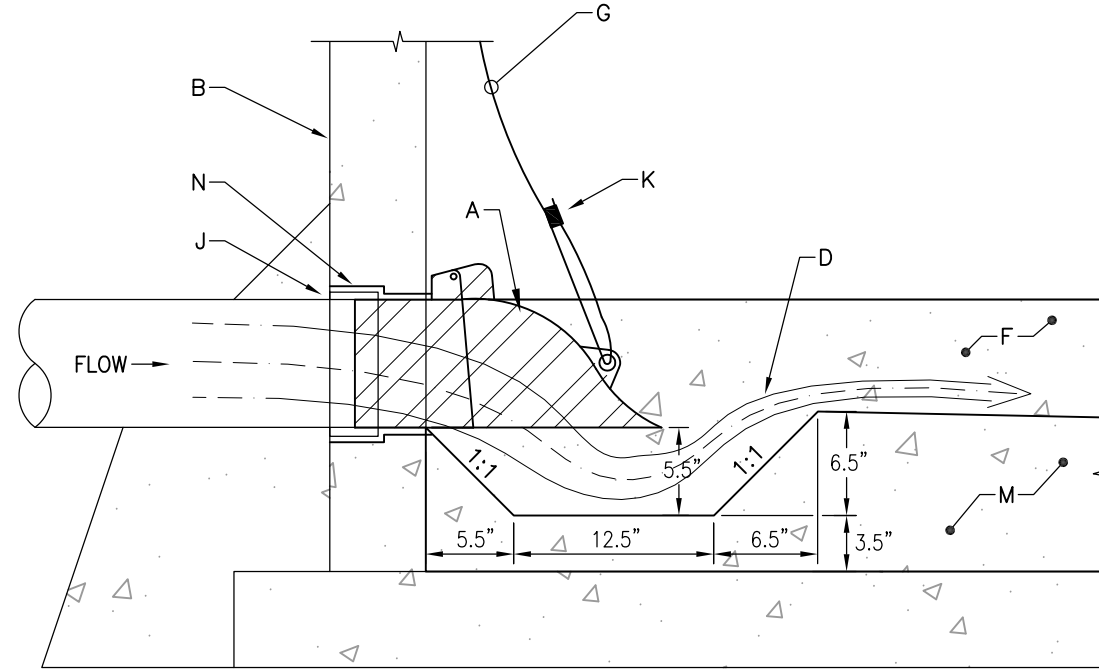
PLAN
TRAP MANHOLE



SECTION B-B
GAS TRAP



SECTION A-A
TRAP MANHOLE



DETAIL
GAS TRAP

GENERAL NOTES

1. MANHOLE LOCATION, FINAL DESIGN AND LAYOUT SHALL BE APPROVED BY THE WATER AUTHORITY TO CONFORM WITH SPECIFIC SYSTEM AND SITE REQUIREMENTS. ENGINEER SHALL SUBMIT A PROJECT SPECIFIC DETAIL. SUBMIT SHOP DRAWINGS OF MANHOLE, MAIN PIPING, AND GAS TRAP ASSEMBLY PRIOR TO MANHOLE FABRICATION AND PIPE INSTALLATION. IF LOCATED IN ROADWAY, COORDINATE THE PROPOSED MANHOLE LOCATION WITH ANY FUTURE ROADWAY IMPROVEMENTS.
2. ALL PARTS WITHIN THE MANHOLE MUST COINCIDE WITH THE CURRENT WATER AUTHORITY APPROVED PRODUCTS LIST.
3. TRAP MANHOLE TO BE INSTALLED ON 8" TO 12" GRAVITY SANITARY SEWER COLLECTOR LINE WHEN CONNECTED UPSTREAM OF INTERCEPTOR SEWER LINE, TO MITIGATE SEWER GAS FROM TRAVELING UPSTREAM.

CONSTRUCTION NOTES

- A. STAINLESS STEEL GAS TRAP (LBIW INC. PRODUCT LB S-2017 A,B,C,D) OR ENGINEER APPROVED EQUAL.
- B. TYPE C OR TYPE E MANHOLE PER STANDARD DRAWINGS 2101 OR 2102 (DIAMETER AS DIRECTED). USE 4 FT DIAMETER ONLY WITH STRAIGHT THROUGH PIPE (PLAN VIEW OPTION 1). USE MINIMUM 6 FT DIAMETER WITH (ANY ANGLE) BEND AT MANHOLE (OPTION 2).
- C. FRAME AND COVER, SEE STANDARD DRAWING 2110.
- D. WATER SURFACE WHEN FLOWING.
- E. SLOPE 1 INCH PER FOOT FROM PIPE CROWN.
- F. CONCRETE FILL SHELF (3000 PSI). EXTEND TO PIPE CROWN.
- G. TYPE 316 STAINLESS STEEL 1/8 INCH WIRE ROPE, SUFFICIENT LENGTH TO EXTEND FROM TRAP TO TOP OF MANHOLE WITH 4 FT LOOP FOR HANDLE AT TOP (AS SHOWN).
- H. TYPE 316 STAINLESS STEEL 1/2 INCH x 4 INCH EYEBOLTS (1/4 INCH 20 THREAD) ANCHORED TO MANHOLE SIDE AT LOCATION SHOWN. MINIMUM 4 EYEBOLTS REQUIRED.
- J. TRANSITION COUPLING (FIELD VERIFY EXISTING PIPE CONFIGURATION, SIZE, TYPE, AND OTHER FIELD CONDITIONS IN ADVANCE OF CONSTRUCTION TO ESTABLISH CORRECT ADAPTERS AND FITTINGS).
- K. 2~ COMPRESSION SLEEVES OR CLAMPS.
- L. STAINLESS STEEL SPRING SNAP ATTACHED TO ROPE AS SHOWN FOR FASTENING TO EYEBOLT FOR HOLDING TRAP OPEN DURING MAINTENANCE.
- M. TRAP AND CHANNEL BASE (3000 PSI CONCRETE).
- N. GROUT SEAL
- P. PIPE SUPPORT (SEE STANDARD DRAWINGS 2101 AND 2102).
- Q. MANHOLE TROUGH. SLOPE FROM INLET TO OUTLET.

REVISIONS	WATER AUTHORITY
	SANITARY SEWER TRAP MANHOLE
	DWG. 2120
	AUG. 2019