

☉ MAIN LINE RCP OR REINFORCED MONOLITHIC ARCH, SEE NOTE 2

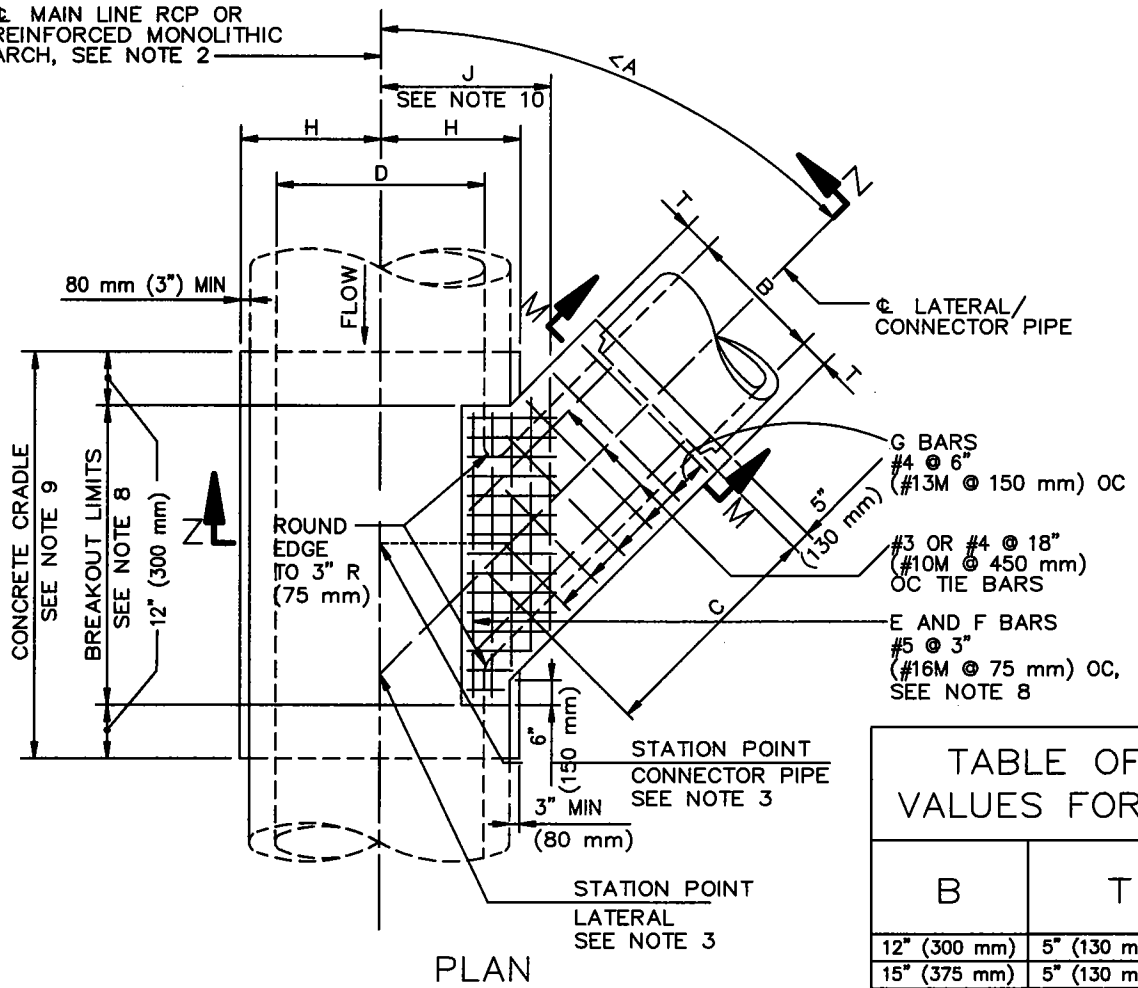
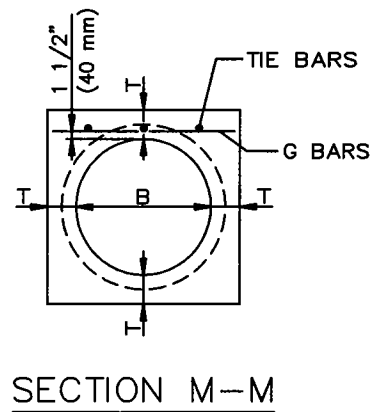
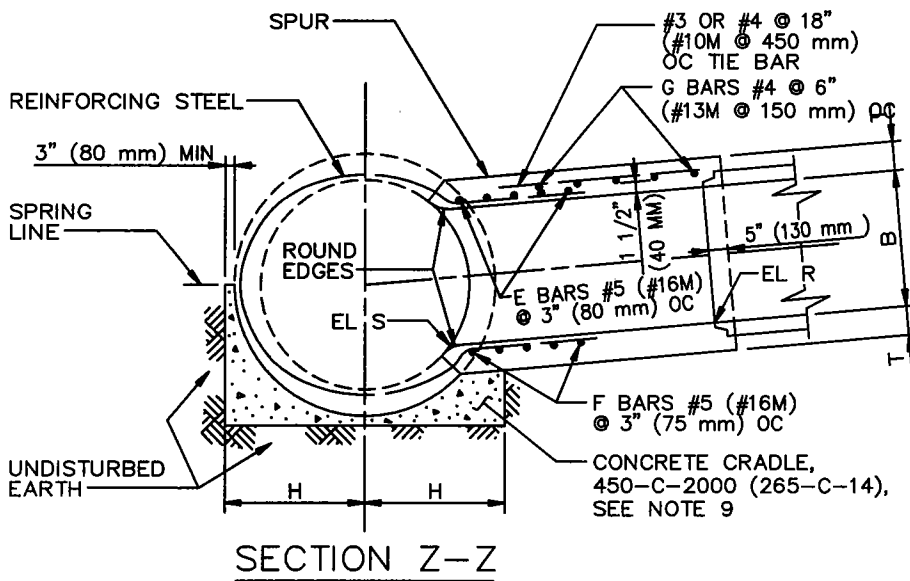


TABLE OF VALUES FOR T

| B            | T               |
|--------------|-----------------|
| 12" (300 mm) | 5" (130 mm)     |
| 15" (375 mm) | 5" (130 mm)     |
| 18" (450 mm) | 5" (130 mm)     |
| 21" (525 mm) | 5" (130 mm)     |
| 24" (600 mm) | 5 1/2" (140 mm) |
| 27" (675 mm) | 5 1/2" (140 mm) |
| 30" (750 mm) | 6" (150 mm)     |
| 33" (825 mm) | 6 1/2" (170 mm) |
| 36" (900 mm) | 6 1/2" (170 mm) |
| 39" (975 mm) | 7" (180 mm)     |



STANDARD PLANS FOR PUBLIC WORKS CONSTRUCTION

PROMULGATED BY THE PUBLIC WORKS STANDARDS INC. GREENBOOK COMMITTEE 1984 REV. 1998, 1999, 2009

**JUNCTION STRUCTURE—PIPE TO PIPE**  
**INLET ID ≥ 24" (600 mm) OR OD > 1/2 MAIN LINE ID**  
 USE WITH STANDARD SPECIFICATIONS FOR PUBLIC WORKS CONSTRUCTION

STANDARD PLAN  
**331-3**  
 SHEET 1 OF 2