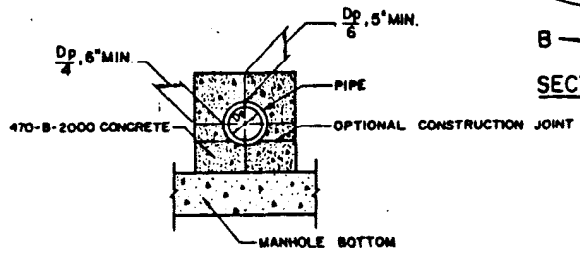
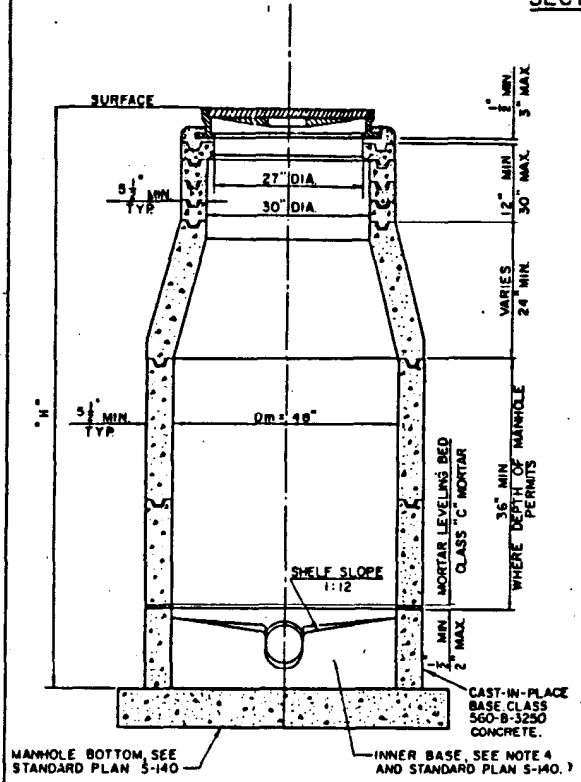


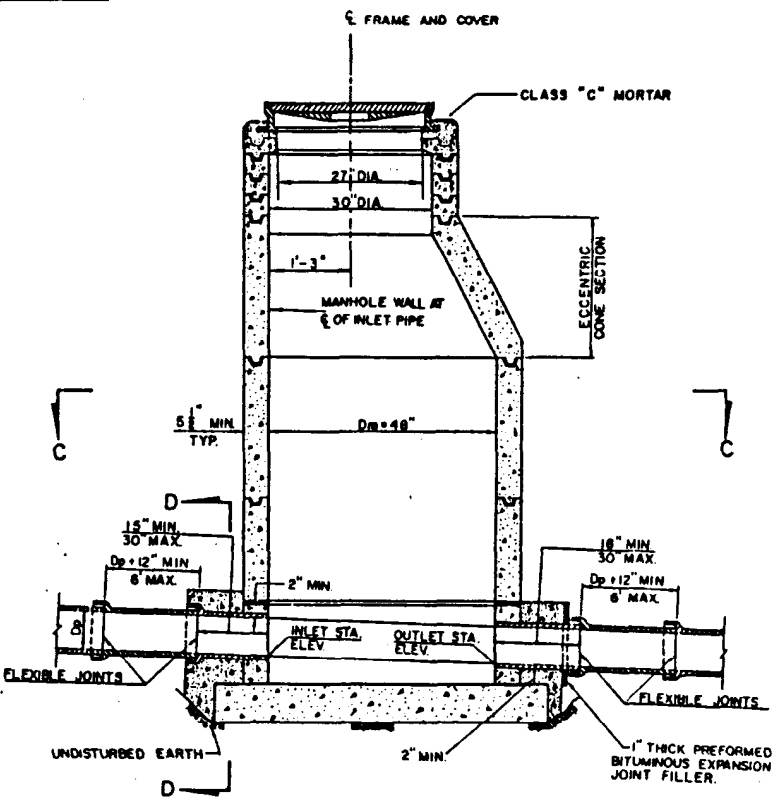
REDUCER AND GRADE RINGS



SECTION D-D



SECTION B-B



SECTION A-A

NOTE: SEE PROJECT PLANS FOR INLET AND OUTLET STATIONS AND ELEVATIONS.

BUREAU OF ENGINEERING

DEPARTMENT OF PUBLIC WORKS

CITY OF LOS ANGELES

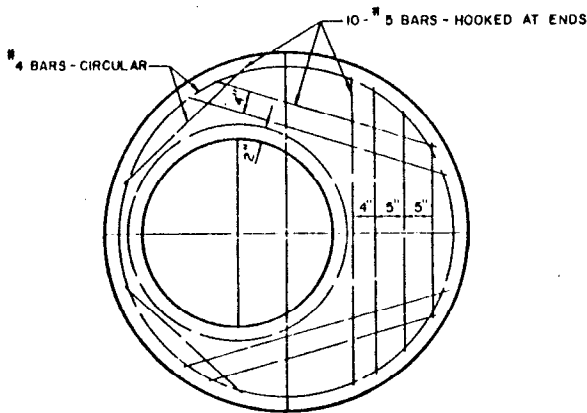
PRECAST CONCRETE SEWER MANHOLE

STANDARD PLAN S-142-0

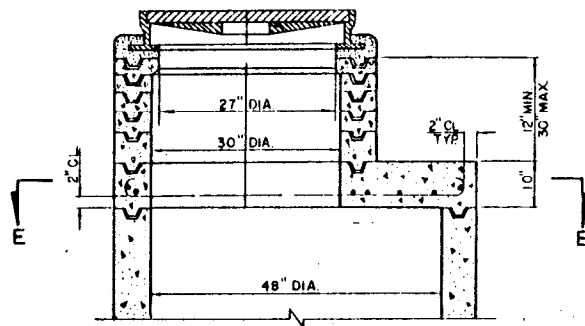
SUBMITTED FEB 2 1976
[Signature]
 DIVISION ENGINEER
 APPROVED APR 1 1976
[Signature]
 CITY ENGINEER
 DESIGNED BY J. HAMM
 DRAWN BY
 CHECKED BY

REVISIONS						SUPERSEDES	REFERENCES
NO	DATE	DESCRIPTION	DIV. ENGR.	CITY ENGR.			
						DL-2469	S-140 S-282

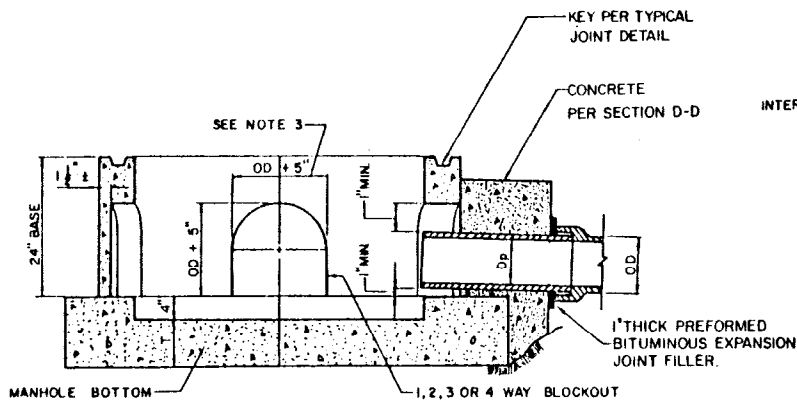
VAULT INDEX NUMBER B-366G
 SHEET 1 OF 2 SHEETS



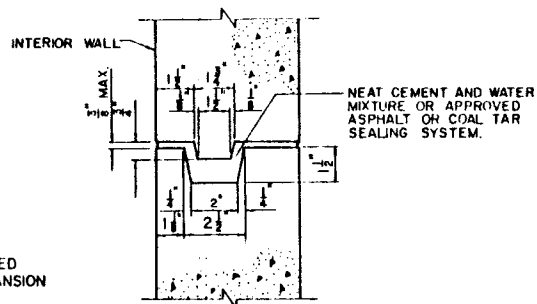
SECTION E-E



ECCENTRIC FLAT TOP



OPTIONAL PRECAST BASE



TYPICAL JOINT DETAIL

NOTES

1. THE MANHOLE DESIGNATION, INNER BASE (INCLUDING CHANNELS AND SHELVES), BOTTOM, ETC. SHALL CONFORM TO THE PROVISIONS SET FORTH IN STANDARD PLAN S-140 TITLED "SEWER MANHOLES - GENERAL". SEE THE PROJECT PLANS IF "H" EXCEEDS 35 FEET.
2. THE PIPE DIAMETER "Dp" SHALL BE 10 INCHES OR LESS UNLESS OTHERWISE SPECIFIED ON THE PLANS.
3. MANHOLE BASE MAY BE PRECAST WITH CIRCULAR OPENINGS OR OPENINGS OF OTHER CONFIGURATIONS BLOCKED OUT. THESE OPENINGS SHALL PROVIDE AN ANNULAR CLEARANCE OF 2 1/2 INCHES AROUND THE PIPE BARREL FOR WHICH THEY ARE PROVIDED.
4. MANHOLE BASE AND/OR INNER BASE MAY BE POURED MONOLITHICALLY WITH THE MANHOLE BOTTOM. 660-B-3750 CONCRETE SHALL BE USED FOR THE MONOLITHIC POUR.
5. WHEN PIPE IS SPECIFIED TO BE BEDDED IN CONCRETE, A TRANSVERSE EXPANSION JOINT FILLER SHALL BE PROVIDED AT THE PIPE FLEXIBLE JOINTS IN SECTION A-A. SEE "PIPE BEDDING-FLEXIBLE JOINTS DETAIL" IN STANDARD PLAN S-140.