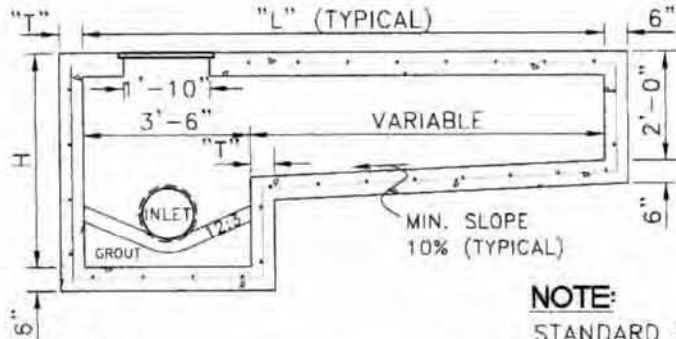
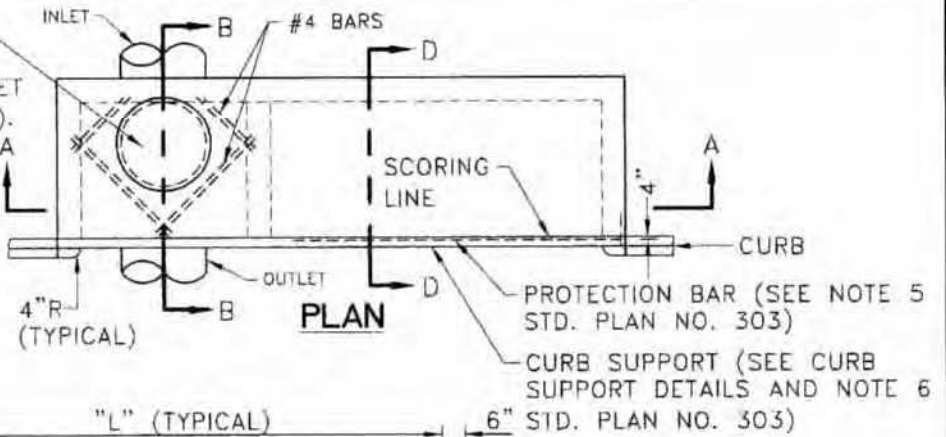
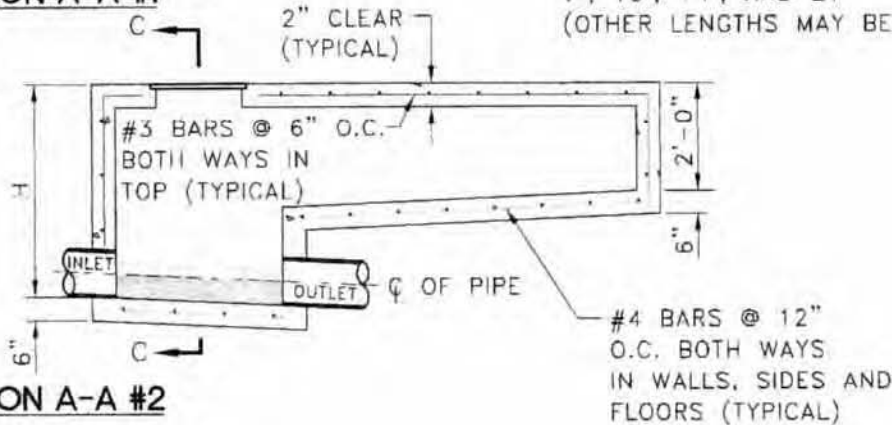


FRAME AND COVER TO BE ALHAMBRA FOUNDRY #A-1530 (GALVANIZED WITH LOCKING SET SCREWS OR APPROVED EQUAL).

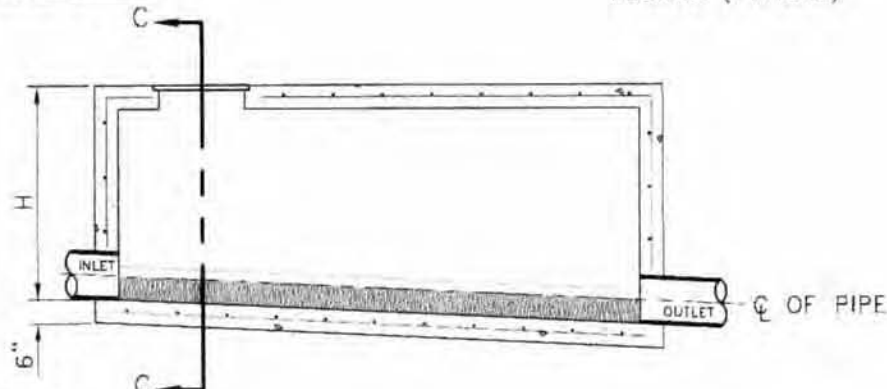


**NOTE:**  
STANDARD OPENING LENGTHS "L" ARE 7', 10', 14', AND 21'  
(OTHER LENGTHS MAY BE USED)

ALT. SECTION A-A #1



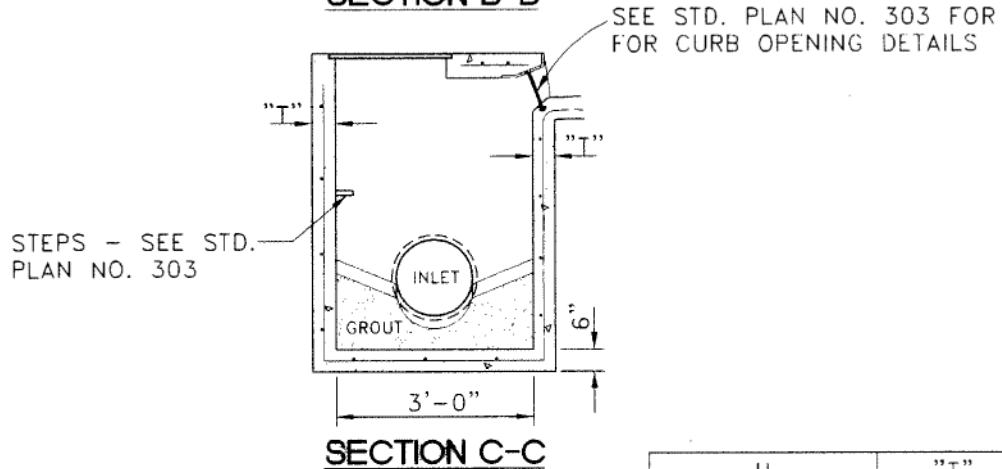
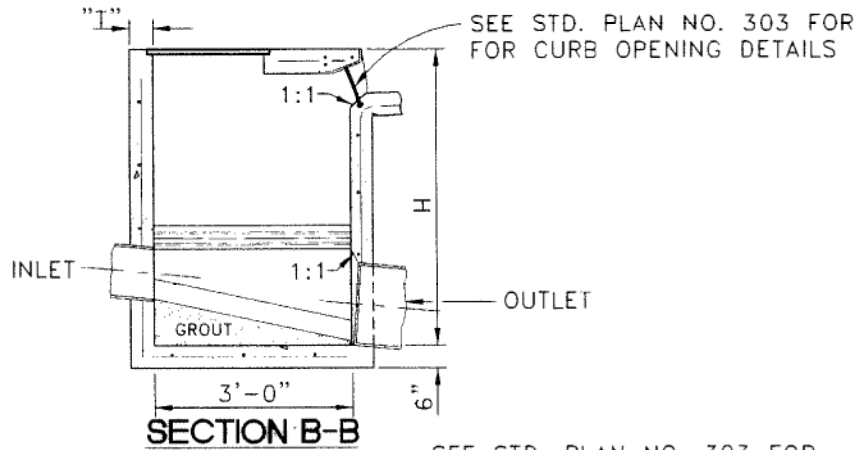
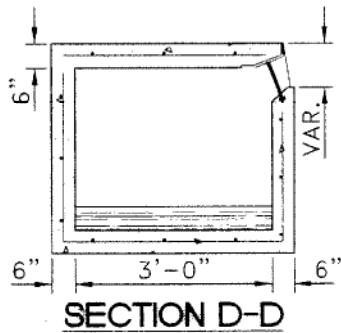
ALT. SECTION A-A #2



ALT. SECTION A-A #3

NO SCALE

REVISIONS			CITY OF TUSTIN IMPROVEMENT STANDARD		STD. NO.
DATE	DESCRIPTION	APP'D	CATCH BASIN - INLET TYPE OL		
			APP'D	<i>[Signature]</i> CITY ENGINEER	302
				DATE 10/25/01	



H	"T"
8' OR LESS	6"
8'-1" TO 20'	8"

**NOTES:**

1. OL = CURB OPENING LARGE.
2. FOR DETAILS & NOTES, SEE STD. PLAN NO. 303.  
FOR LOCAL DEPRESSIONS, SEE STD. PLAN NO. 304.  
CURB OPENING SHALL CONFORM TO CURB ALIGNMENT.
3. ALT. SECTION A-A #1, #2, OR #3 MAY BE USED  
DEPENDENT ON ALIGNMENT & DEPTH OF STORM DRAIN PIPE.

NO SCALE

REVISIONS			CITY OF TUSTIN IMPROVEMENT STANDARD		STD. NO.
DATE	DESCRIPTION	APP'D	CATCH BASIN - INLET TYPE OL		
					302
			APP'D <i>James D. Pickett</i>	CITY ENGINEER	DATE: 10/25/01