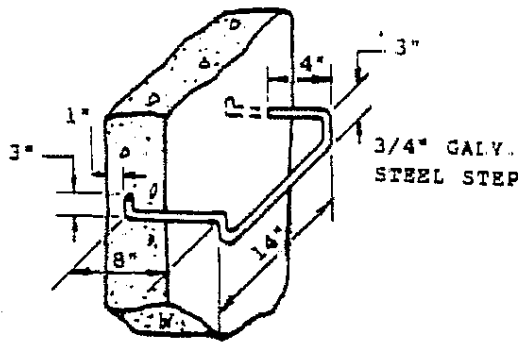


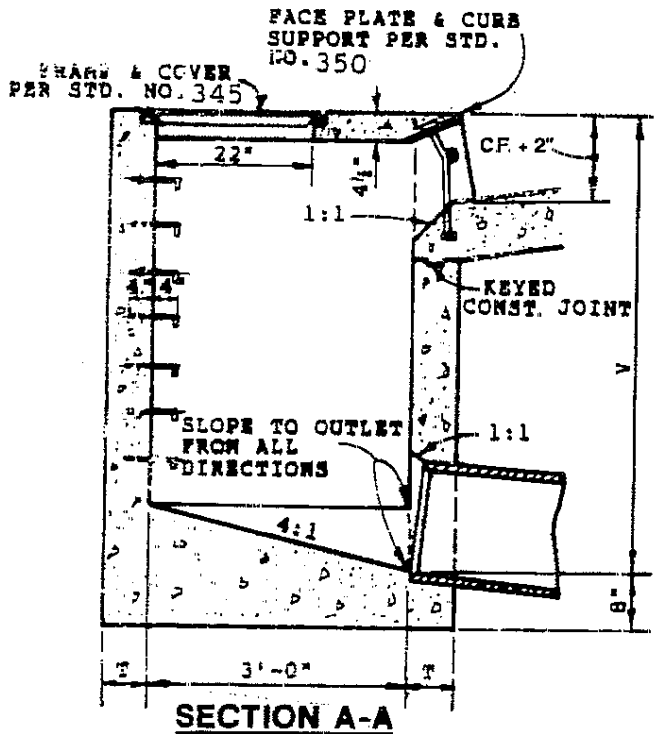
**PLAN**



**STEP DETAIL**

**NOTES:**

1. Curb opening shall conform to adjacent curb alignment.
2. Reinforcing steel for walls and floor shall be #4 bars @ 18" both ways, place 1 1/2" clear to inside of catch basin per L.A.C.F.C.D. Std. 2-D172.
3. Steps: None required where "V" is 4'-0" or less. Install one step 12" above floor when "V" is more than 4'-0" and less than 5' -0" where "V" is more than 5' - 0", steps shall be evenly spaced at 12" intervals from 12" above the floor to within 12" of the top of the box. Place steps in wall without pipe opening. An approved cast-in-place polypropylene step may be used in place of a galvanized steel step.
4. Pipe(s) can be placed in any wall.
5. Catch basin floors shall be sloped from all directions toward outlet pipe and shall have a wood trowel finish.
6. Dimensions:  
 V = 4' -0" unless otherwise shown.  
 T = 6" for V = 8'-0" or less.  
 T = 8" for V = 8'-1" to 20'-0".
7. Curb face at catch basin opening: existing C.F. + 2" unless otherwise specified.
8. Concrete: FC' = 3250 PSI at 28 days.



**SECTION A-A**

APPROVED *Karl Blongto 1-28-89*  
 CITY ENGINEER DATE

CITY OF CHINO  
 PUBLIC WORKS DEPARTMENT

DATE	REVISION	APP'D	BY
1/15/03	REVISED & CORRECTED NOTES	<i>[Signature]</i>	G.E.D.

STANDARD DRAWING No.

**CATCH BASIN II 340**