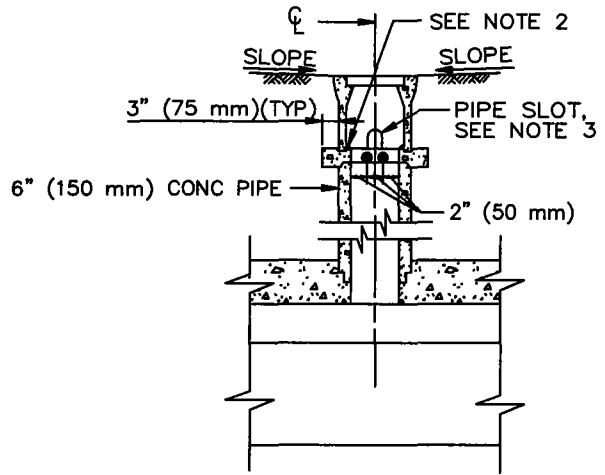


PLAN

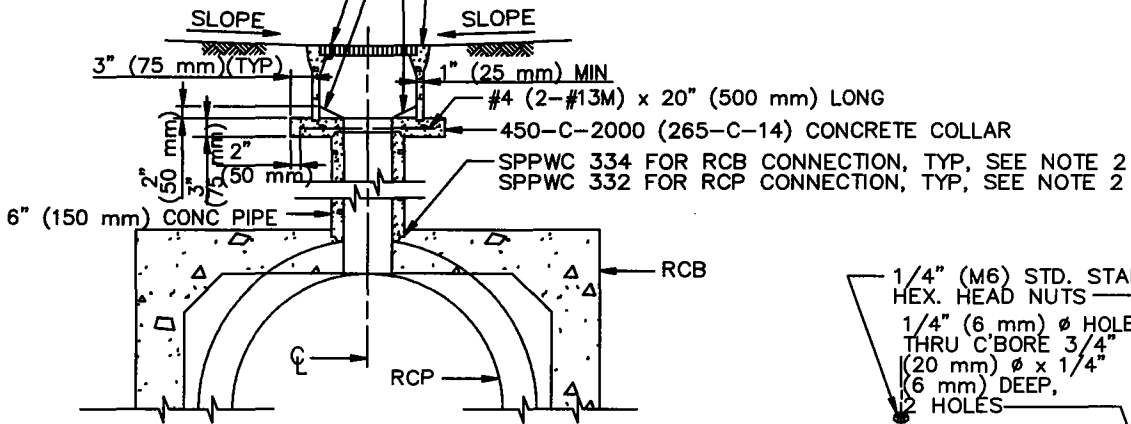


SECTION B - B

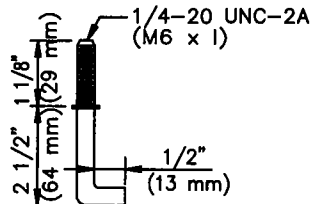
L BOLT GRATE LOCK SEE
DETAIL "A" (TOP OF BOLT
FLUSH WITH TOP OF GRATE)

SEE NOTE 2

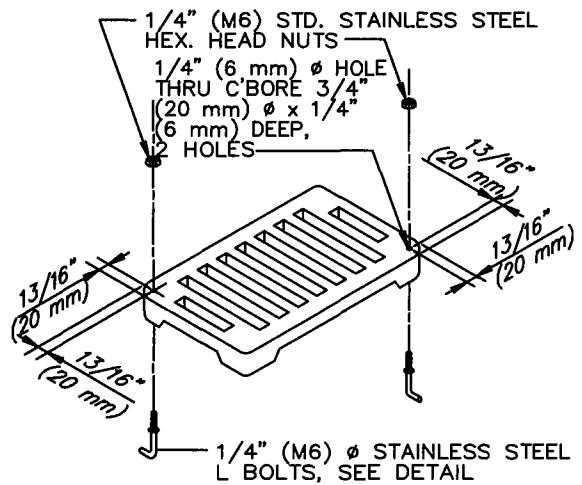
9 1/2" (240 mm) x 16" (400 mm) UTILITY BOX WITH
CAST IRON GRATE SUCH AS "QUIKSET" SERIES
NO. WV-16, BROOKS PRODUCTS INC. NO. 3-TG,
OR AGENCY APPROVED EQUAL



SECTION A - A



DETAIL OF L BOLT



DETAIL "A"

STANDARD PLANS FOR PUBLIC WORKS CONSTRUCTION

PROMULGATED BY THE
PUBLIC WORKS STANDARDS INC.
GREENBOOK COMMITTEE
1984
REV. 1996, 2009

YARD INLET

STANDARD PLAN

350-2

USE WITH STANDARD SPECIFICATIONS FOR PUBLIC WORKS CONSTRUCTION

SHEET 1 OF 2