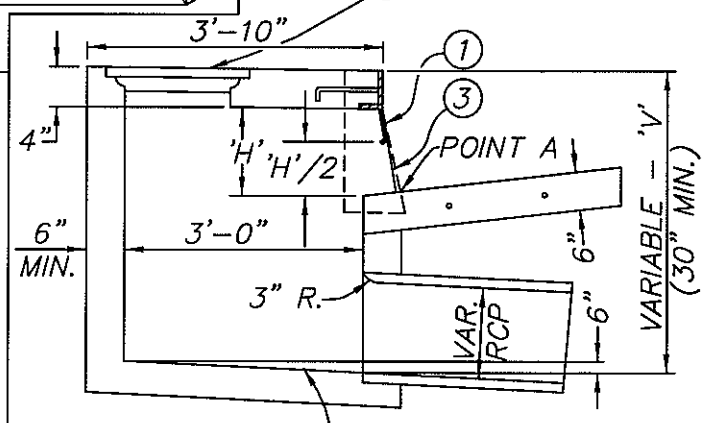
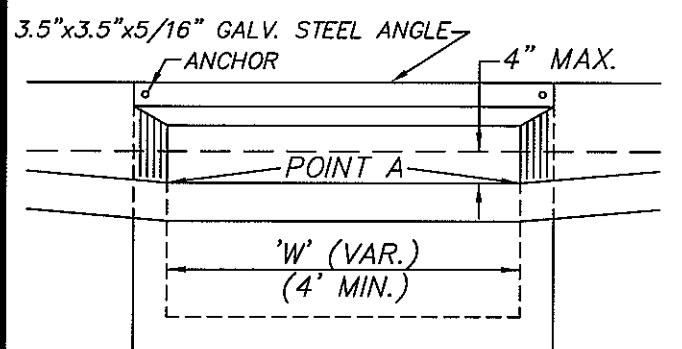


FOR APRON TRANSITION SEE **PLAN** STD. PLAN 302

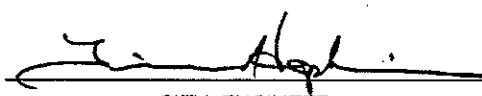


**SECTION ALONG CURB FACE**

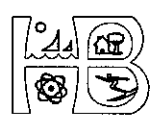
**SECTION A-A**

**NOTES:**

- ① PROVIDE 3/4" GALVANIZED HORIZONTAL PROTECTION BARS, ON HANGING TYPE END ANCHOR (ALHAMBRA A-1570 OR APPROVED EQUAL) 'H'/2 = 5" MAX.
- ② 3/4" ROUND GAL. STL. STEPS WHEN 'V' IS GREATER THAN 3'-0" PROVIDE SPACING 12" FROM TOP OF BASIN AND 16" CENTER TO CENTER.
- ③ PROVIDE 1" DIA. GALVANIZED VERTICAL ROD AT 7'-0" CENTER TO CENTER (MAX., WHERE REQUIRED WITH ADJUSTABLE G.I. PROTECTION BAR STIRRUP.)
- ④ FRAME & COVER, ALHAMBRA A-1530-B OR APPROVED EQUAL, GALVANIZED & MARKED "SD". SEE STD. PLAN 303.

APPROVED:  
  
 CITY ENGINEER

**CITY OF HUNTINGTON BEACH**  
 DEPARTMENT OF PUBLIC WORKS



REVISION DATE: May 2008

**CURB INLET CATCH BASIN  
 AND LOCAL DEPRESSION**

STANDARD PLAN  
**301**  
 1 of 2