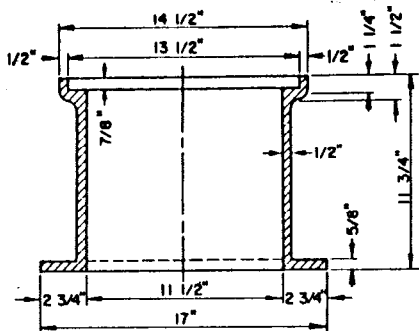
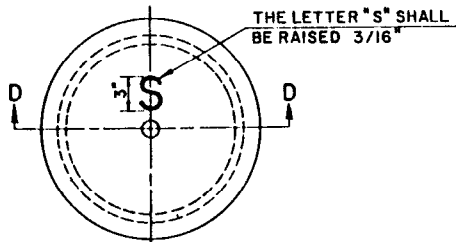


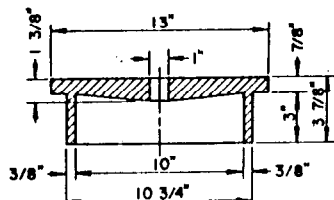
ACCESS FRAME



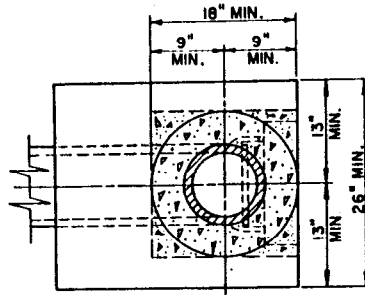
SECTION C-C



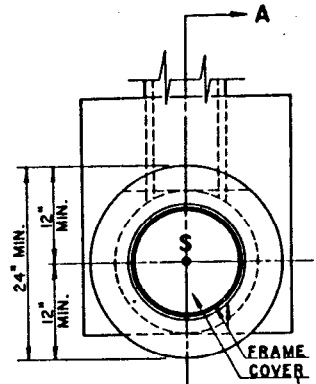
ACCESS COVER



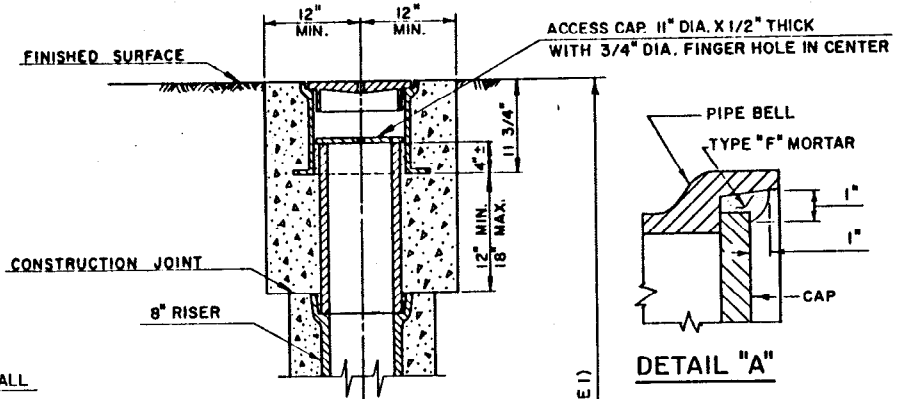
SECTION D-D



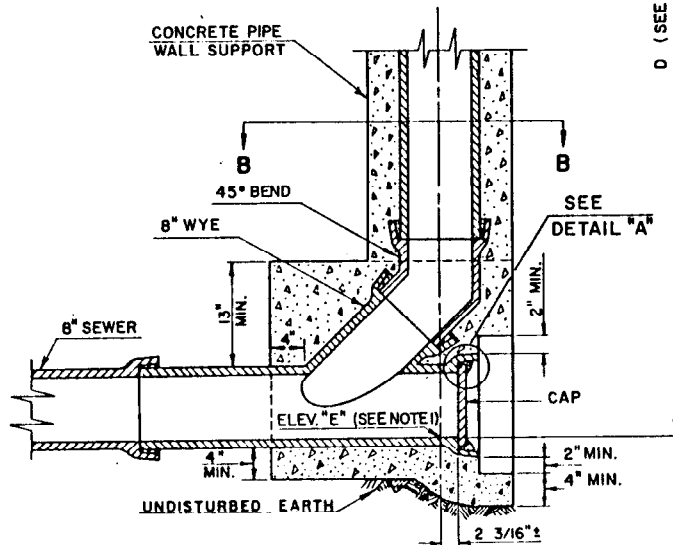
SECTION B-B



PLAN



DETAIL "A"



SECTION A-A

D (SEE NOTE I)

BUREAU OF ENGINEERING

DEPARTMENT OF PUBLIC WORKS

CITY OF LOS ANGELES

TERMINAL CLEANOUT STRUCTURE "Y" (T.C.S. "Y")

STANDARD PLAN  
S-164-0

SUBMITTED June 22, 1972  
*R. M. Wright*  
ENGINEER OF DESIGN  
*R. L. Schaefer*  
DEPUTY ENGINEER

APPROVED June 26, 1972  
*Ronald C. Callman*  
CITY ENGINEER

DESIGNED BY: LIE    DRAWN BY: RGM    CHECKED BY: LJM

REVISIONS						SUPERSEDES	REFERENCES
NO.	DATE	DESCRIPTION	ENGR. OF DESIGN	CITY ENGR.			
						B-3717	

VAULT INDEX NUMBER B-3974

SHEET 1 OF 2 SHEETS

NOTES FOR TERMINAL CLEANOUT STRUCTURE "Y"

1. SEE PROJECT PLANS FOR VALUES OF DIMENSION "D" AND ELEVATION "E".
2. PIPE AND FITTINGS EXCEPT AS OTHERWISE SHOWN HEREON SHALL BE OF THE SAME MATERIAL AS THE SEWER, AND MAY BE ANY OF THE FOLLOWING:
  - A. VITRIFIED CLAY PIPE CONFORMING TO SECTION 207-8 OF THE STANDARD SPECIFICATIONS;
  - B. ABS SOLID WALL PIPE CONFORMING TO SECTION 207-14 OF THE STANDARD SPECIFICATIONS;
  - C. ABS COMPOSITE PIPE CONFORMING TO SECTION 207-15 OF THE STANDARD SPECIFICATIONS;
  - D. PVC PIPE CONFORMING TO SECTION 207-16 OF THE STANDARD SPECIFICATIONS.
3. PIPES AND FITTINGS SHALL BE PROPERLY ALIGNED AND MAINTAINED WHILE CONCRETE IS BEING PLACED AND ALLOWED TO HARDEN. JOINTS FOR PIPES AND FITTINGS SHALL BE MADE PRIOR TO PLACING CONCRETE. CONCRETE FOR BEDDING, ENCASEMENT, AND WALL SUPPORT FOR PIPES AND FITTINGS SHALL BE PLACED UNIFORMLY AROUND THE PIPE AND FITTINGS AS SHOWN HEREON TO MAINTAIN PROPER ALIGNMENT, AND SHALL BE CLASS 420-C-2000.
4. THE ACCESS FRAME, COVER, AND CAP SHALL BE CAST IRON CONFORMING TO SECTION 206-3 OF THE STANDARD SPECIFICATIONS. THE FINGER HOLES MAY BE DRILLED OUT OR MAY BE BLOCKED OUT PRIOR TO CASTING; THEY SHALL NOT BE PUNCHED OUT.
5. THE CONTRACTOR, AT HIS OPTION, MAY PLACE EITHER CIRCULAR OR SQUARE CONCRETE PIPE WALL SUPPORTS AS SHOWN HEREON.