

REVISIONS

APPROVALS

DESCRIPTIONS

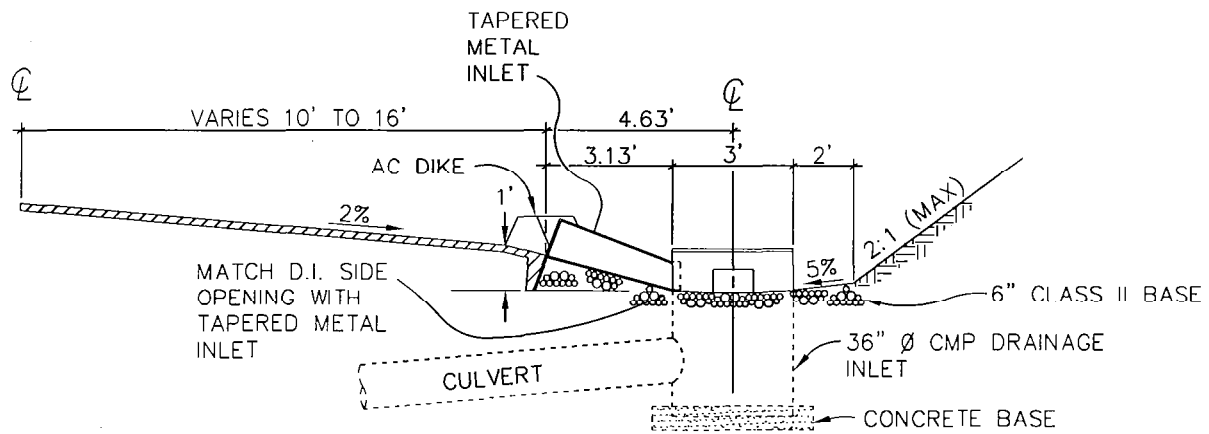
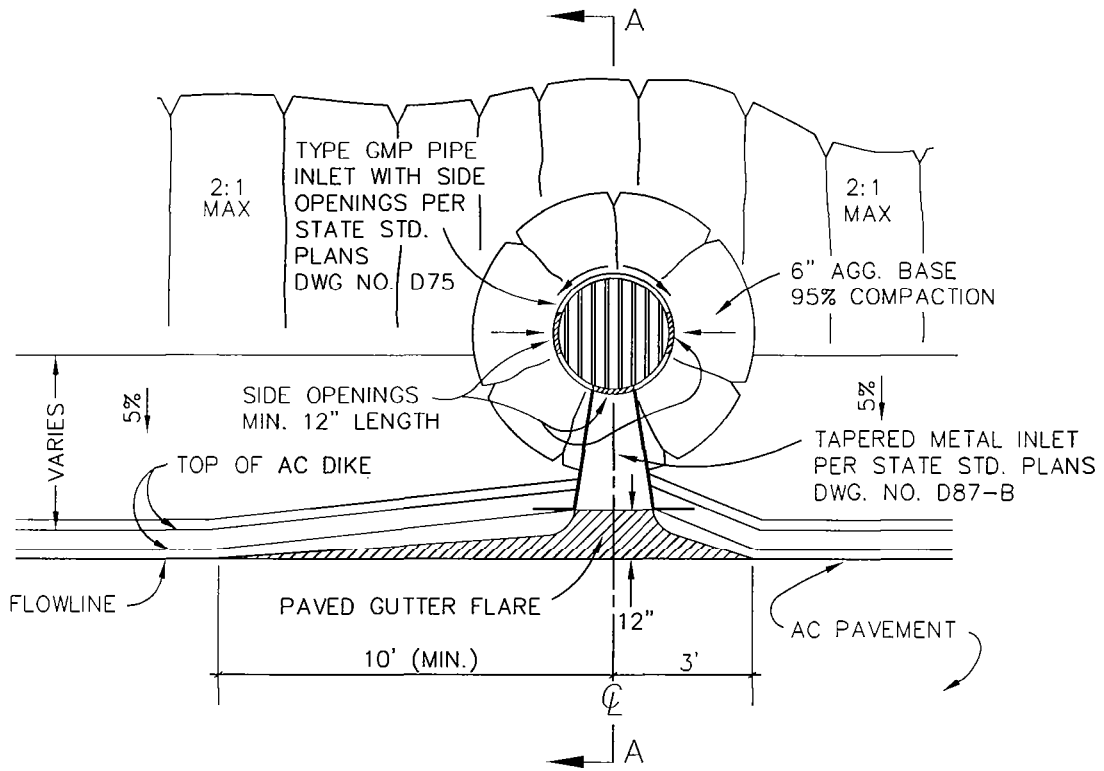
BY

DATE

APPROVED

COUNCIL RESOLUTION NO. 26-92

3/10/92



SECTION A-A

NOTE:
 IN SAG LOCATIONS USE 10'
 LENGTH OF GUTTER FLARE
 ON BOTH SIDES AND GRATED
 DRAINAGE INLET.

DRAWN BY:
 R.L.W.
 DESIGNED BY:
 S.J.S.
 DATE:
 02/27/92
 FILE NAME:
 AT503.DWG

CITY OF ATASCADERO
 ENGINEERING DEPARTMENT
 RURAL DRAINAGE INLET
 ROADS WITH AC DIKE

DRAWING NO.
 503