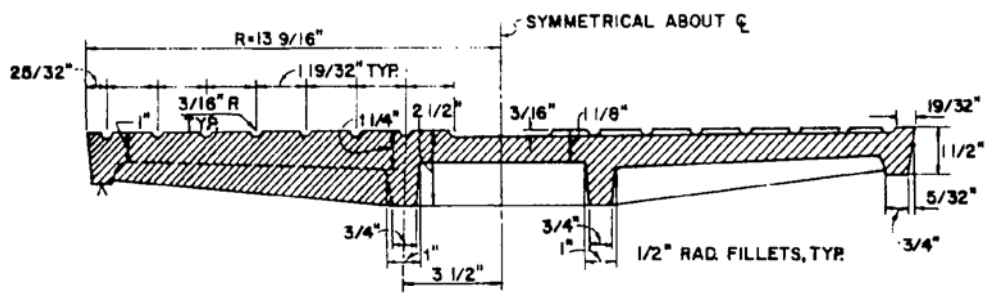
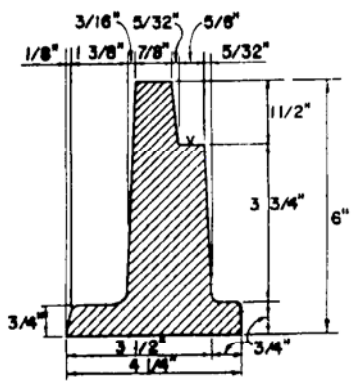


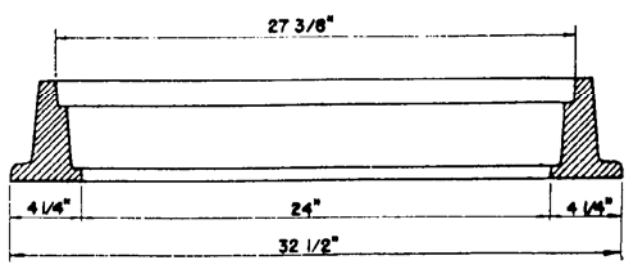
COVER FOR 24" CLEAR OPENING FRAME BOTTOM PLAN OF COVER



SECTION A-A



DETAIL OF FRAME



SECTION THRU FRAME

APWA STD. PLAN 630-1



RIVERSIDE COUNTY FLOOD CONTROL
AND
WATER CONSERVATION DISTRICT
APPROVED BY: *Warren D. Williams*
CHIEF ENGINEER
DATE: April 5, 2004 R.C.E. NO. 32336

24-INCH MANHOLE FRAME
AND COVER
STANDARD DRAWING NUMBER MH260
SHEET 1 OF 2