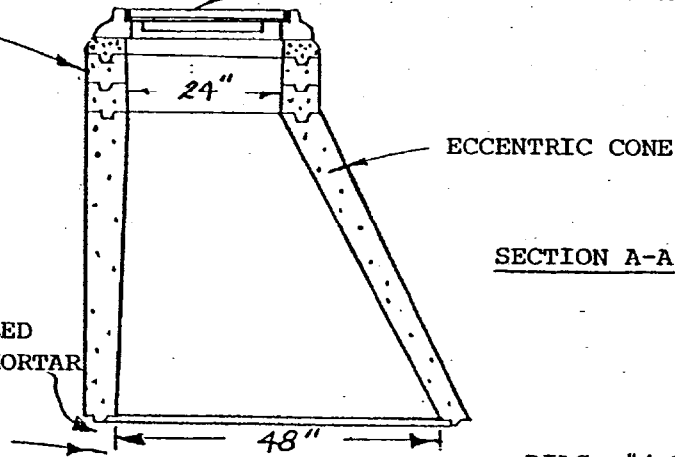


ADJUSTMENT RINGS AS REQ'D
 MAX. 11" MIN. 5"
 TOP 5" = 2-2-1-2"
 RINGS

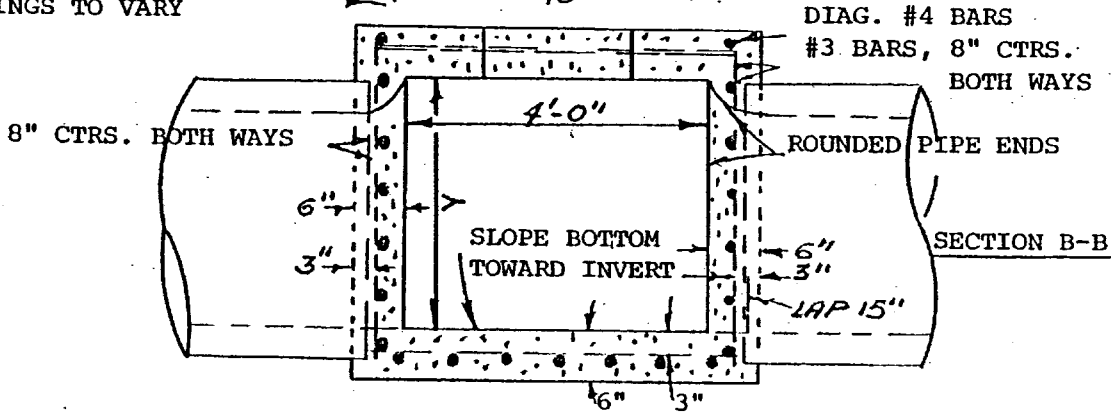
MANHOLE FRAME & COVER
 LABEL: HEMET STORM DRAIN



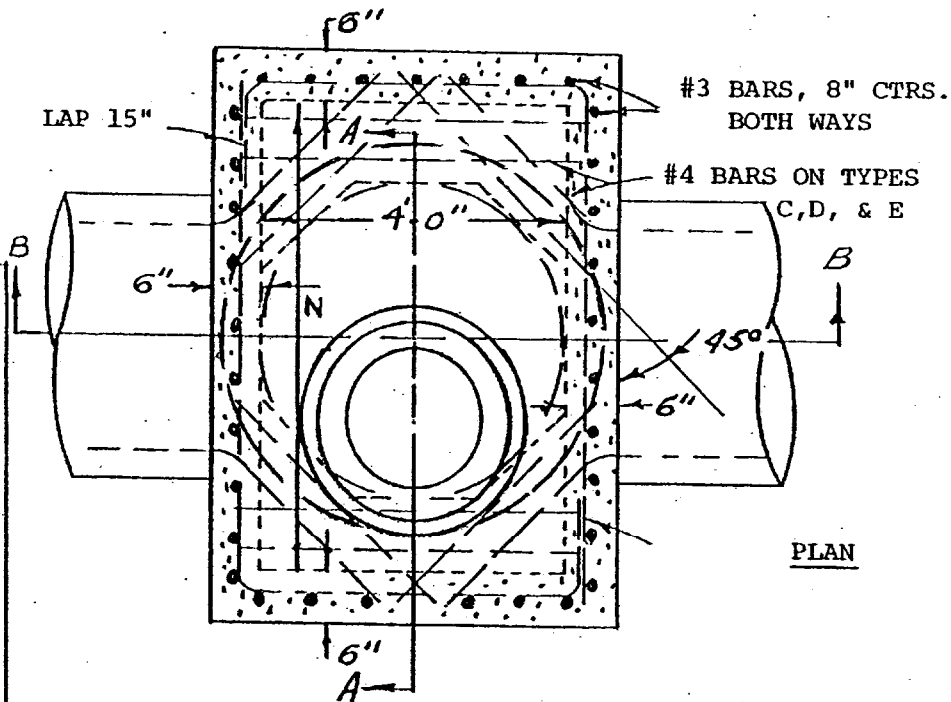
SECTION A-A

SET CONE IN THICK BED
 OF 1:2 MIX CEMENT MORTAR

HEIGHT OF 48" GR.
 RINGS TO VARY



SECTION B-B



PLAN

DESCRIPTION	Y	Z
A for pipe sizes up to 0"-39"	4'4"	
" " " " 42"-48"	5'5"	
" " " " 51"-60"	6'6"	
" " " " 63"-72"	7'7"	
" " " " 75"-84"	8'8"	

REVISIONS	

City of Hemet
STORM DRAIN CLEANOUT
STANDARD No. D - 303