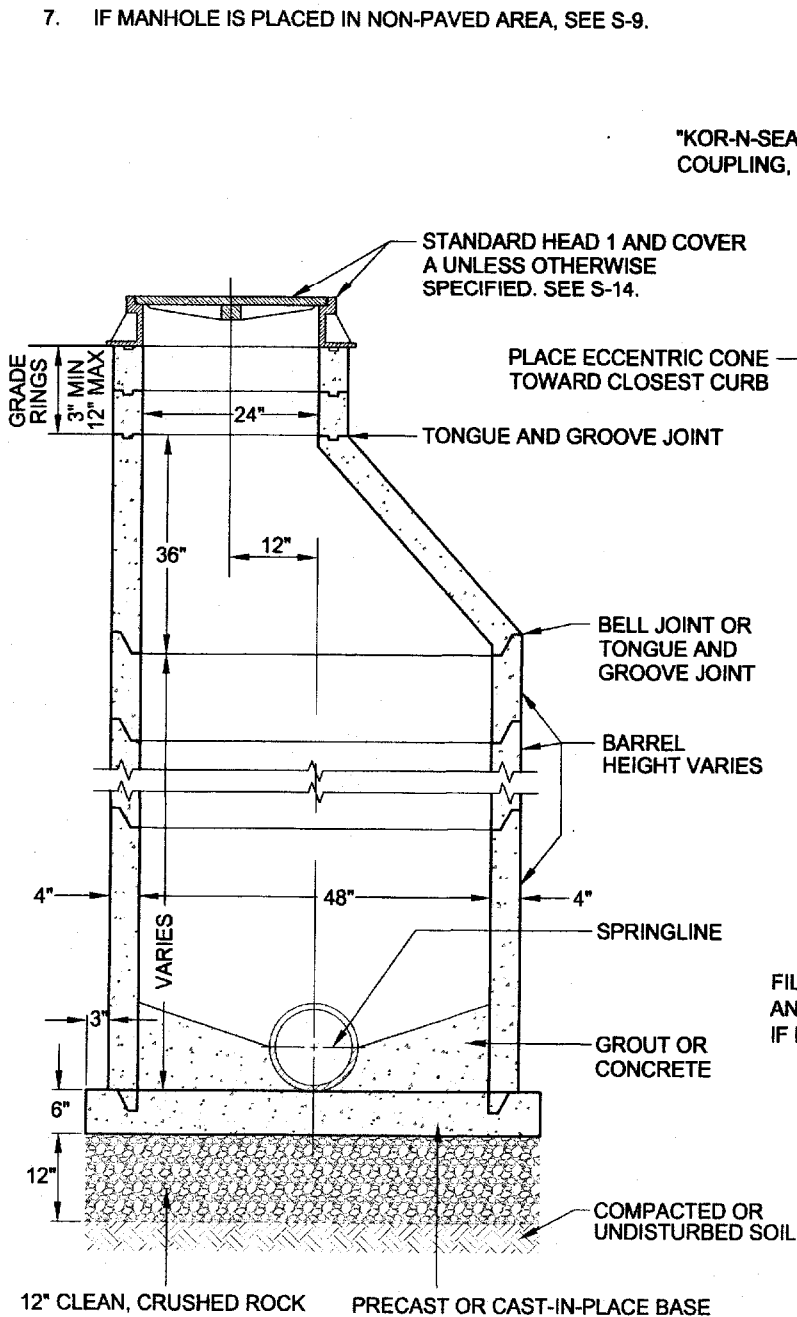
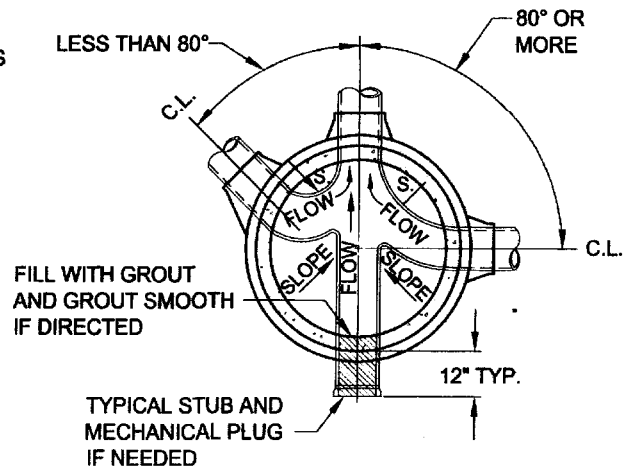
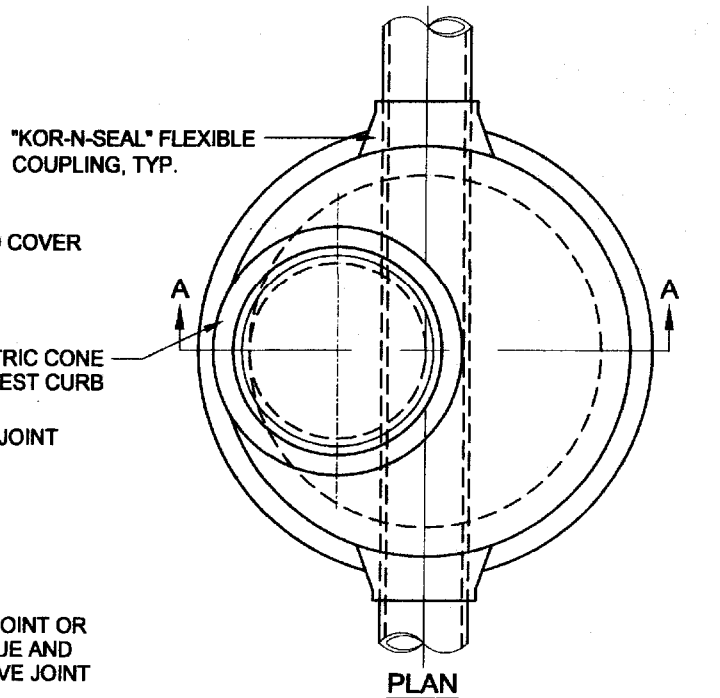


NOTES

1. USE STANDARD MANHOLE 3A WHEN GREATER THAN 8 FEET DEEP, FOR SANITARY SEWER PIPES LESS THAN 21" DIA. AND FOR STORM DRAIN PIPE LESS THAN 27" DIA.
2. MANHOLES SHALL CONFORM TO SEC. 25 OF THE CITY STANDARD SPECIFICATIONS.
3. FLOWLINE MATERIAL FOR SEWER MAINS AND INTERSECTING MAINS SHALL BE VITRIFIED CLAY EXCEPT: IF MANHOLE BASE IS PRECAST CONCRETE, OR MANHOLE BASE IS PLACED OVER MAIN WHICH IS "LAID THROUGH", IN WHICH CASE FLOWLINE MATERIAL SHALL BE SAME AS MAIN.
4. FLOWLINE MATERIAL FOR STORM DRAIN PIPE SHALL BE THE SAME AS MAIN LINE PIPE WHEN "LAID THROUGH", OR GROUTED TO THE SPRINGLINE MATCHING THE EXITING PIPE DIAMETER.
5. MANHOLE BENCH SHALL SLOPE UPWARDS FROM THE SPRING-LINE OF THE PIPE TO THE PROJECTED LEVEL OF THE CROWN OF THE PIPE AT THE MANHOLE WALL OR 12 INCHES ABOVE THE SPRING-LINE, WHICHEVER IS LESS.
6. CORE OPENING AND USE "KOR-N-SEAL" OR APPROVED EQUAL FLEXIBLE COUPLINGS ON ALL CONNECTIONS TO MANHOLE EXCEPT IF PIPE IS "LAID THROUGH" AND CAST INTO BASE. IF PIPE IS "LAID THROUGH", CONTRACTOR SHALL PROVIDE WATER STOP WHERE PIPE IS CAST INTO BASE.
7. IF MANHOLE IS PLACED IN NON-PAVED AREA, SEE S-9.



SECTION A-A



PLAN VIEW OF MANHOLE SHOWING INTERSECTING SEWERS

REV.	DATE	DESCRIPTION
△		
△		
△		

R:\Utilities\City_Std_Details\Sewer_Drainage\S-80