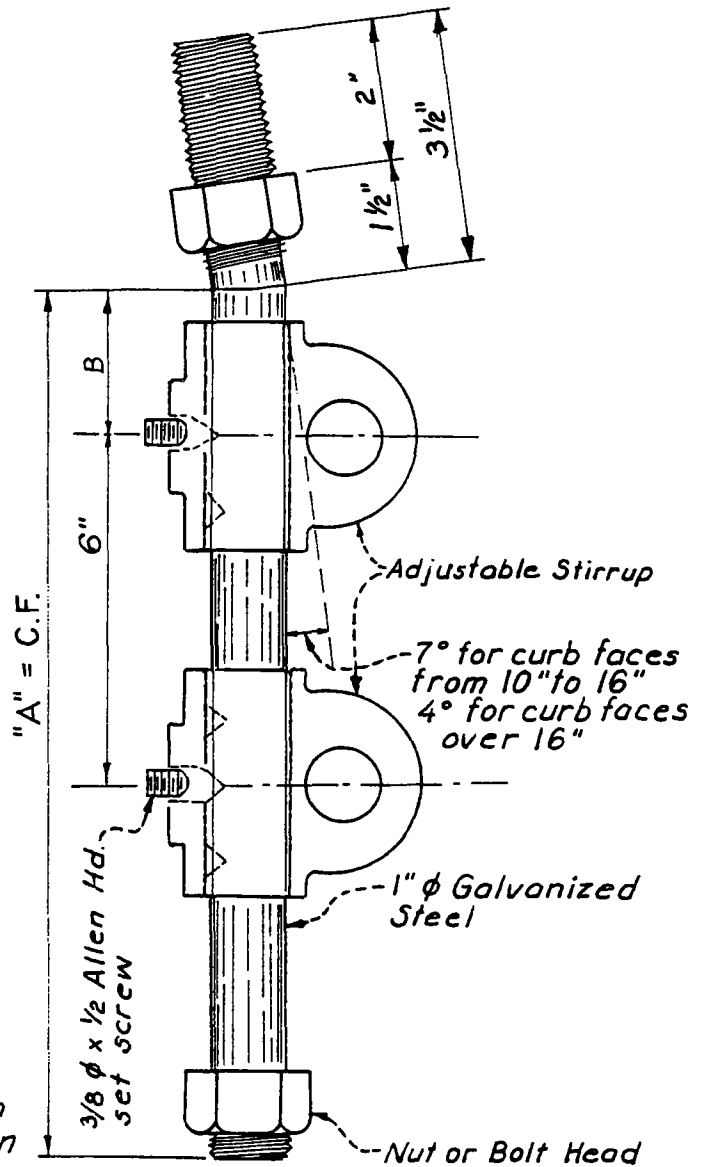


SECTION SHOWING SUPPORT IN PLACE

C.F.	C.F.	"B"
10"		
11"	17"	1"
12"	18"	1"
13"	19"	2"
14"	20"	3"
15"	21"	4"
16"	22"	5"

NOTES

One stirrup for protection when curb face (C.F.) is more than 10" and not more than 16".
 When curb face is more than 16" and not more than 22", second stirrup 6" below first stirrup as shown.



Rev. No.	Revised Standard No.	Approved	Date

CITY OF SAN BERNARDINO - PUBLIC WORKS DEPT. DETAIL OF BOLT SUPPORT FOR CATCH BASINS	APPROVED 6-9 1972 <i>[Signature]</i> CITY ENGINEER	STANDARD NO. 410
	[Handwritten initials and date]	