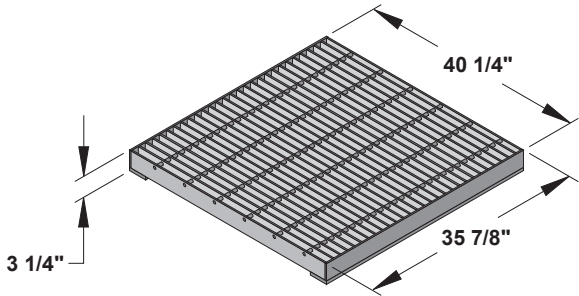


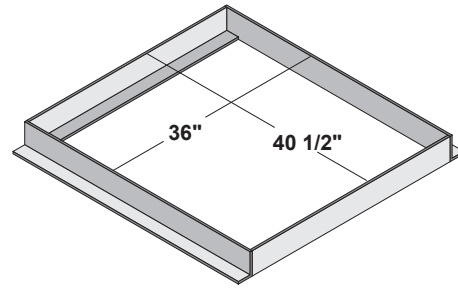
3636 STEEL GRATES - 1 Pc.

PARKWAY

93 lbs.



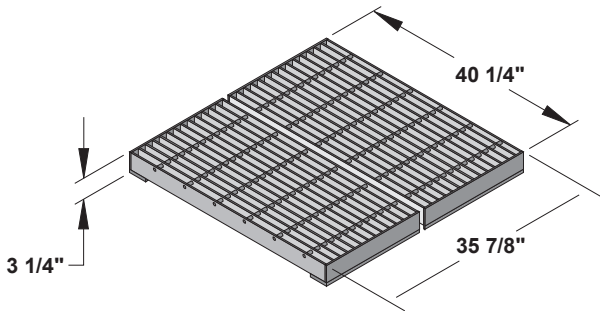
3636 FRAME ONLY



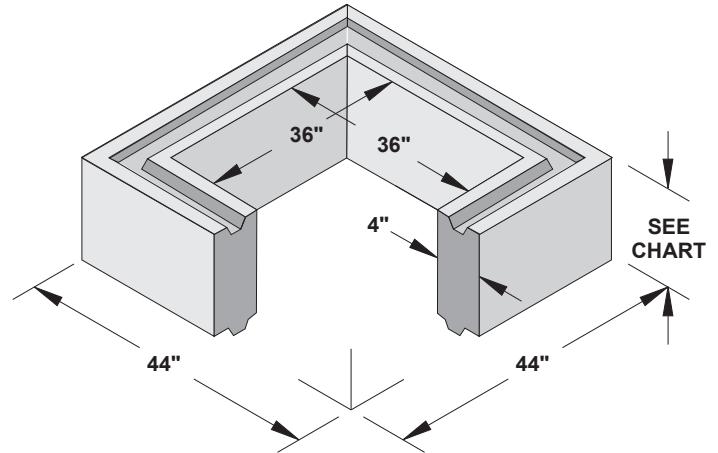
3636 STEEL GRATES - 2 Pc.

TRAFFIC

341 lbs.



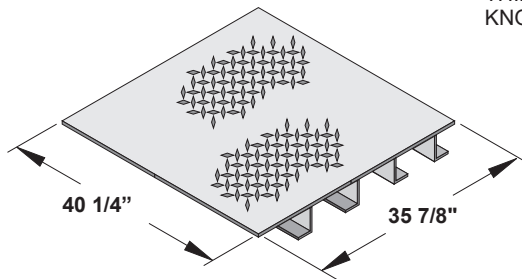
3636 EXTENSION (NO FRAME)



3636 STEEL COVER - 1 Pc.

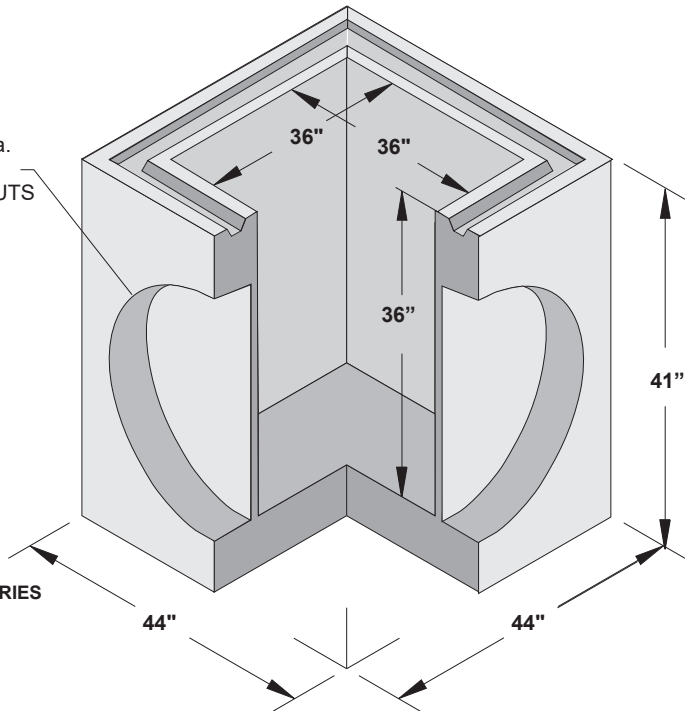
PARKWAY
TRAFFIC

152 lbs.
190 lbs.



4ea. 30" dia.
THINWALL
KNOCK-OUTS

3636 BOTTOM SECTION (NO FRAME)



NOTES:

1. GRATES AND COVERS AVAILABLE PAINTED BLACK OR GALVANIZED
2. "ADA" OR "HEEL-PROOF" GRATES ARE NOT AVAILABLE FOR THIS SERIES
3. BOLT DOWN GRATES AND COVERS ARE AVAILABLE

EXTENSION SECTION	HT.	LBS	KNOCK-OUTS
3636 E6	6"	525	NONE
3636 E12	12"	1050	NONE

BOTTOM SECTION	HT.	LBS	KNOCK-OUTS
3636 B36	36"	2,230	(4) 30" DIA.

<p>36" x 36" CATCH BASIN</p>		
<p>ORG. DWG. DATE 11-23-99</p>	<p>REV. DWG. DATE 02-14-20</p>	
<p>BROOKS 3636 CB</p>		