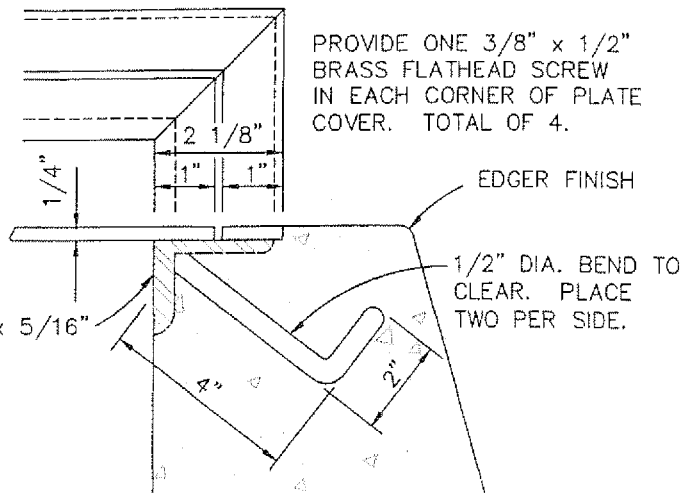
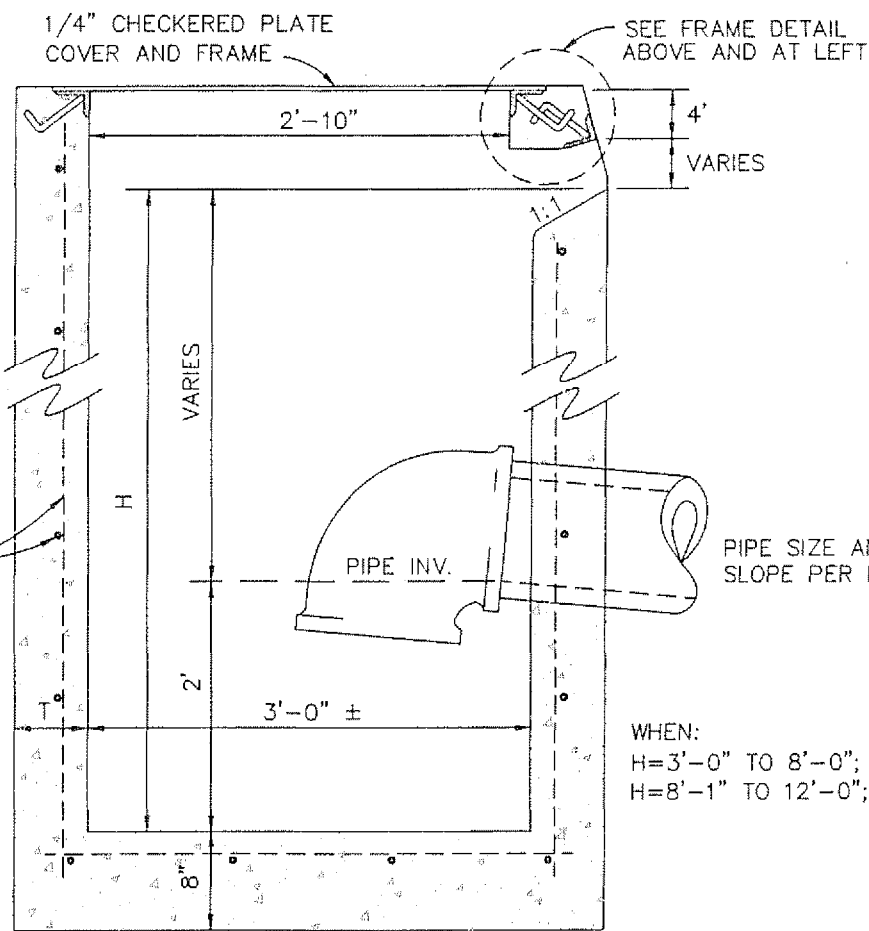
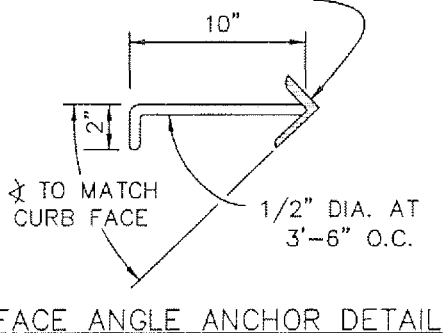


**CURB OPENING DETAIL**

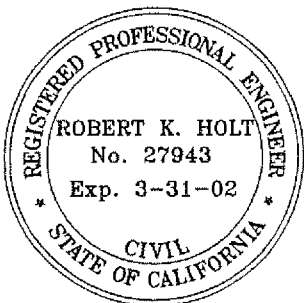
STANDARD 6" OR 8" CURB  
SEE STD. DWGS. S-208 & S208A



**FRAME AND PLATE ANCHOR DETAIL**



**CATCH BASIN CROSS SECTION DETAIL**



APPROVED: PUBLIC WORKS DIRECTOR

*James W. Rodkey, Jr.* DATE *9/7/00*  
JAMES W. RODKEY, JR.

APPROVED: CITY ENGINEER  
*Robert K. Holt* DATE *9/31/00*  
ROBERT K. HOLT, P.E.

CITY OF  
**BLYTHE**

STREET/STORM WATER  
CATCH BASIN

STANDARD DRAWING NO. SD-503

REVISION	BY	DATE