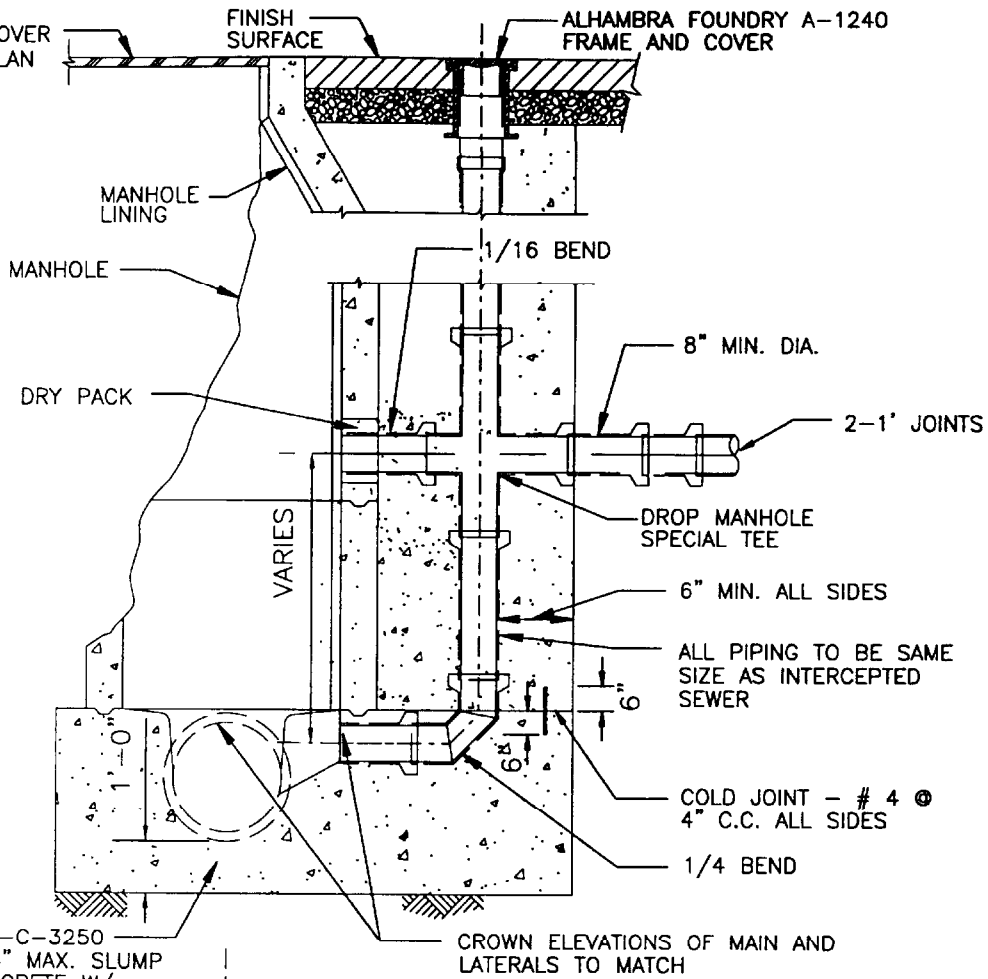


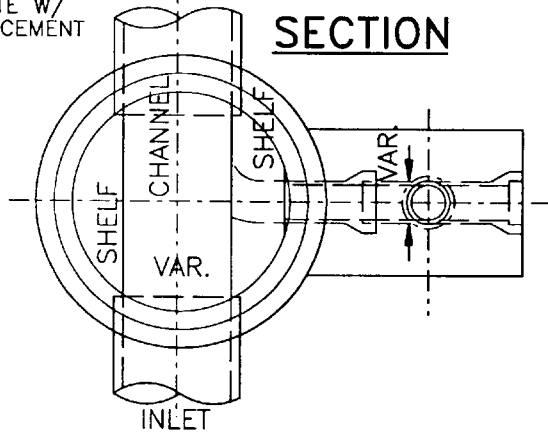
STA. MH
 FRAME & COVER
 SEE STD. PLAN
 S-103



560-C-3250
 W/4" MAX. SLUMP
 CONCRETE W/
 TYPE V CEMENT

CROWN ELEVATIONS OF MAIN AND
 LATERALS TO MATCH

SECTION



PLAN

NOTES:

1. DROP MANHOLE TO BE USED FOR SPECIAL SITUATIONS ONLY, AND SHALL NOT BE CONSTRUCTED WITHOUT APPROVAL BY GGSD.
2. ALL NEW OPENINGS CONSTRUCTED INTO MANHOLE SHALL BE DONE BY CORE DRILLING.



Garden Grove
 Sanitary District

**SEWER DROP MANHOLE
 WITH CLEANOUT**

Approved

Date

4/7/7

REVISIONS

BY

DATE

STD. PLAN NUMBER

City Engineer

R.C.E. 50353

Exp. 6-20-2009

S-102