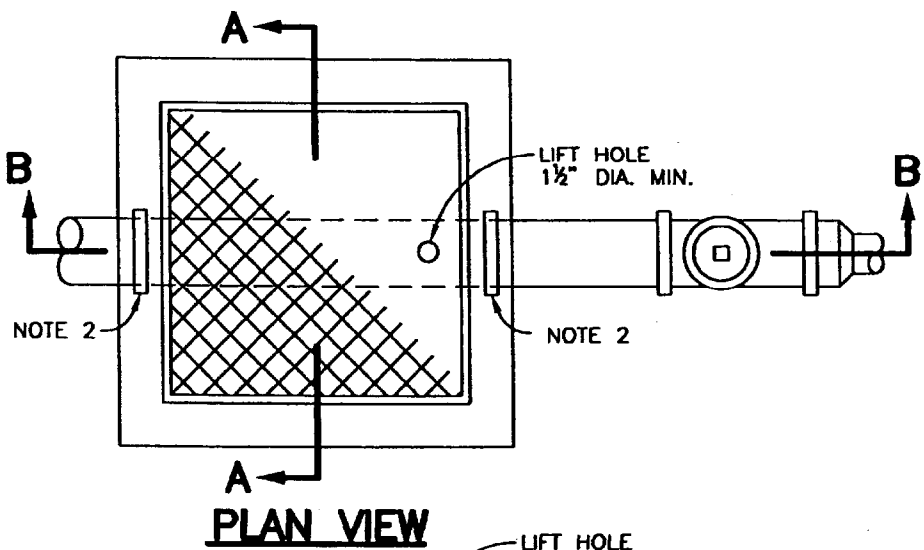
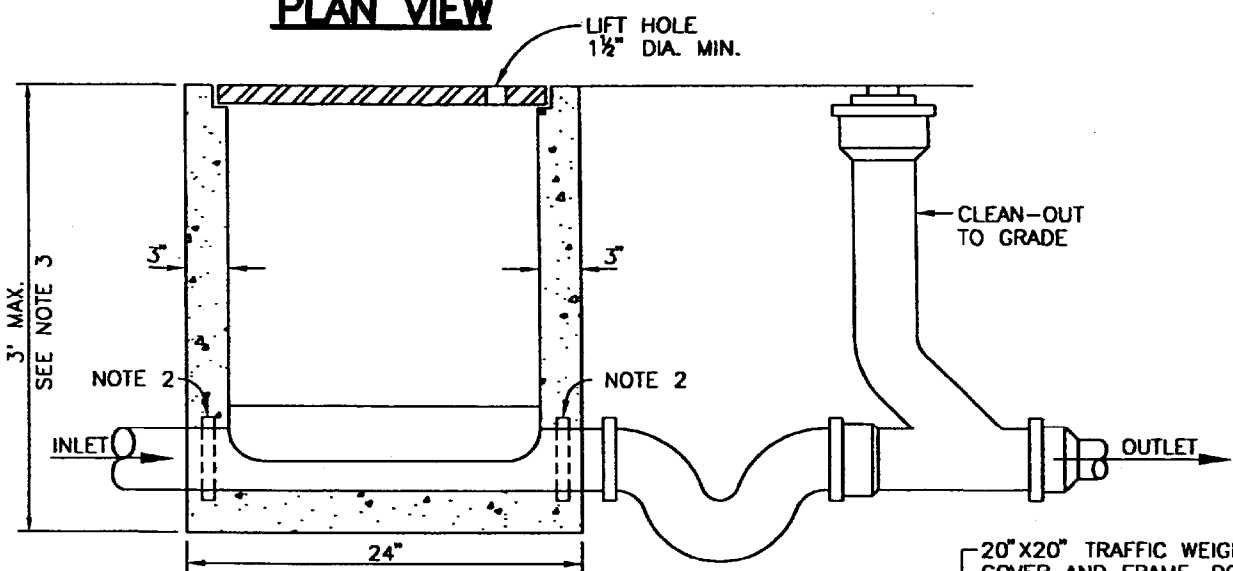


REV.	APPR. BY	DATE

REV.	APPR. BY	DATE

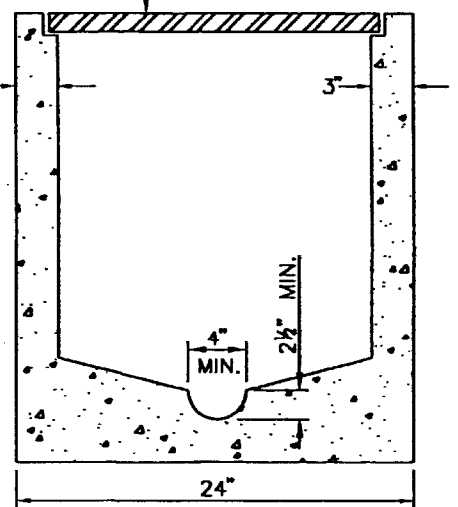


**PLAN VIEW**



**SECTION B-B**

20"X20" TRAFFIC WEIGHT COVER AND FRAME. DO NOT BOLT OR SCREW ON.



**SECTION A-A**

**NOTES:**

1. APPROVAL FOR THE LOCATION OF THE SAMPLING WELL SHALL BE OBTAINED FROM THE SOURCE CONTROL PROGRAM PRIOR TO INSTALLATION. WHEN INSTALLING THE SAMPLE WELL, BE SURE THAT THE INVERT OF THE SAMPLING WELL IS LEVEL WITH THE INVERT OF THE INLET AND OUTLET PIPES. ELEVATE THE SIDEWALLS ABOVE THE SURROUNDING GROUND SURFACE TO EXCLUDE STORM WATER AND OR SURFACE RUNOFF.
2. FOR PLASTIC SEWER PIPE, PLACE TIGHT FITTING RUBBER RING OVER PIPE AT MIDPOINT WHERE IT PASSES THROUGH CONCRETE WALL.
3. USE PRE-CAST CONCRETE MANHOLE PER PLATE 400 WHEN DEPTH IS GREATER THAN 3 FEET.
4. FINAL INSPECTION BY SOURCE CONTROL.
5. PROTECTIVE COATING PER PLATE 400.

	<b>SAMPLING WELL</b>		STANDARD PLAN 2002
	DRAWN: STAFF Department of Public Works	CKD.: STAFF <i>LB</i>	APPR. <i>Granville M. Bowman</i> Granville M. Bowman