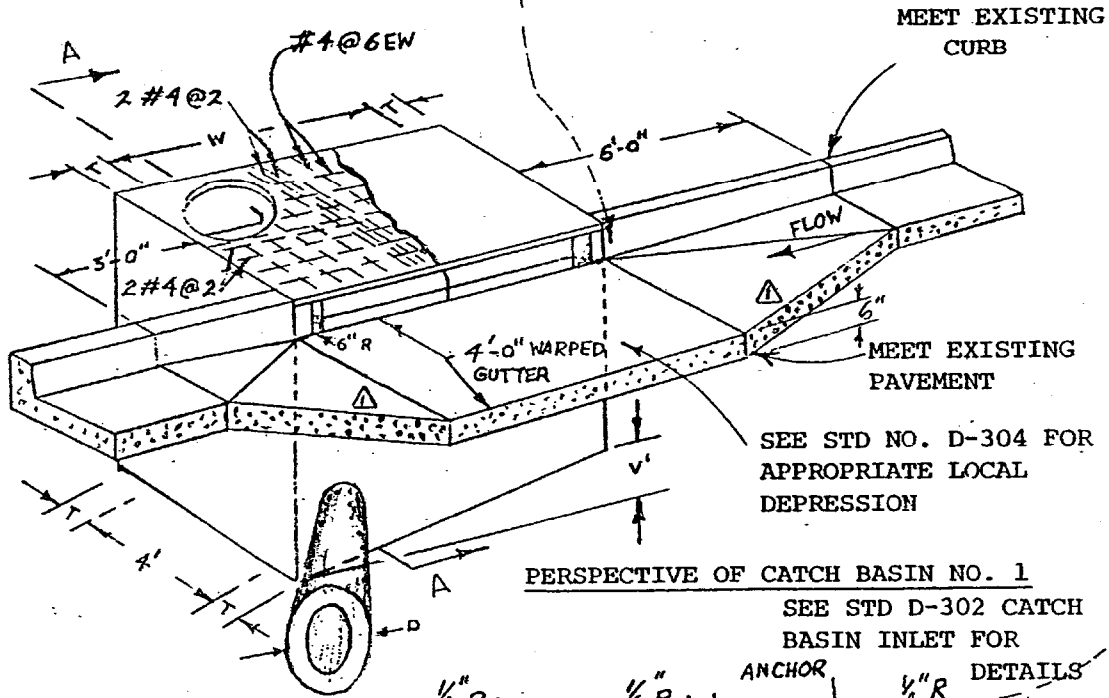
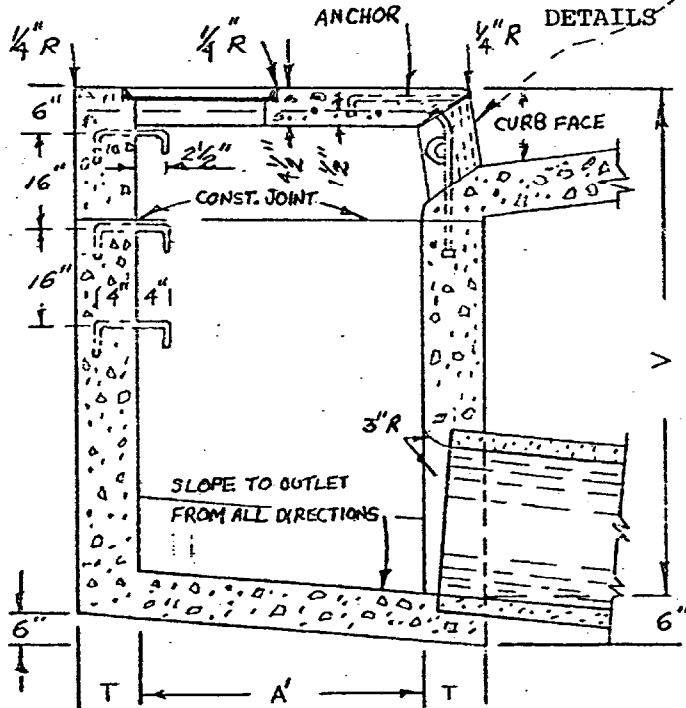


CATCH BASIN OPENING =
 NORMAL CURB FACE + 4 INCHES
 UNLESS OTHERWISE SPECIFIED



PERSPECTIVE OF CATCH BASIN NO. 1
 SEE STD D-302 CATCH
 BASIN INLET FOR
 DETAILS

SEE NOTES: STD No. D-300A
 D-300B



SECTION A-A

City of Hemet

CATCH BASIN NO. 1

Sheet 1 of 3
 STANDARD No. D-300

REVISIONS	
1	4/26/89 JFC

NOTES

1. DIMENSIONS: UNLESS OTHERWISE SPECIFIED
 $V' = 6" @ W = 7', 9" @ W = 14', 12" @ W = 21'$
 $V =$ SHALL BE SHOWN ON THE PLANS.
 $W =$ SHALL BE SHOWN ON THE PLANS (7 FOOT MINIMUM).
 $T = 6$ INCHES IF V IS 4 FEET OR LESS.
 $T = 8$ INCHES IF V IS LESS THAN 8 FEET.
 $T = 10$ INCHES IF V IS 8 FEET OR MORE.
 $D = 18$ INCHES UNLESS OTHERWISE SPECIFIED.
 $A' = 38$ INCHES UNLESS OTHERWISE SPECIFIED.
2. STRUCTURAL CONCRETE SHALL BE CLASS "A" P.C.C. (6.0 SACK).
3. THE REINFORCING STEEL SHALL BE NUMBER 4 DEFORMED BARS. CLEARANCE SHALL BE 1-1/2 INCH FROM THE BOTTOM OF THE SLAB. SEE NOTE 7.
4. THE SURFACE OF ALL EXPOSED CONCRETE SHALL CONFORM TO SLOPE, GRADE, COLOR, FINISH AND SCORING IN THE EXISTING OR PROPOSED CURB AND WALK ADJACENT TO THE BASIN. THE BASIN FLOOR SHALL BE GIVEN A TIGHT WOOD FLOAT FINISH. CURVATURE OF THE LIP AND SIDEWALLS AT THE GUTTER OPENING SHALL NOT BE MADE BY PLASTERING. THE OUTLET PIPE SHALL BE TRIMMED TO FINAL SHAPE AND LENGTH BEFORE THE CONCRETE IS POURED.
5. STEPS:
 3/4 INCH PLAIN ROUND GALVANIZED STEEL STEPS SHALL BE INSTALLED 16 INCHES APART WHEN V EXCEEDS 4 FEET 6 INCHES. THE TOP STEP SHALL BE 6 INCHES BELOW THE TOP SURFACE AND SHALL BE 2-1/2 INCHES CLEAR FROM THE WALL. ALL OTHER STEPS SHALL BE 4 INCHES CLEAR FROM THE WALL. ONLY ONE STEP 12 INCHES FROM THE BOTTOM SHALL BE INSTALLED IF V IS 4 FEET 6 INCHES OR LESS. ALL STEPS SHALL BE ANCHORED NOT LESS THAN 4 INCHES INTO THE WALL OF THE BASIN.
6. CURB, GUTTER AND LOCAL DEPRESSIONS SHALL BE CLASS "B" CONCRETE.
7. SPECIAL DESIGN WILL BE REQUIRED WHEN THE FOLLOWING CONDITIONS ARE EXCEEDED:

BASIN LENGTH = W

BASIN DEPTH = V

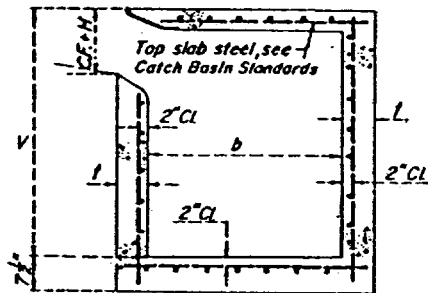
7.0' _____ UP TO 10'
 14.0' _____ " " 7'
 21.0' _____ " " 6'

REVISIONS	
△ 7/89 JPC	

City of Hemet
CATCH BASIN NOTES
△ Sheet 2 of 3
STANDARD No. D - 300A

W OF C.B.	V(ft.)		I (in)	FRONT WALL STEEL		REAR & END WALLS & FLOOR STEEL
	From	To (incl)		Hor.	Vert.	Each Way
10'	4	6		*3 @ 6"	*3 @ 6"	* 3 @ 6"
10'	4	8	8	*4 @ 12"	*4 @ 12"	* 4 @ 12"
10'	8	12	10	*4 @ 10"	*4 @ 10"	* 4 @ 10"
14'	4	6		*3 @ 6"	*3 @ 6"	* 3 @ 6"
14'	4	8	8	*4 @ 12"	*4 @ 12"	* 4 @ 12"
14'	8	10	10	*4 @ 8"	*4 @ 12"	* 4 @ 10"
14'	10	12	10	*4 @ 6"	*4 @ 12"	* 4 @ 10"

WALL AND FLOOR STEEL

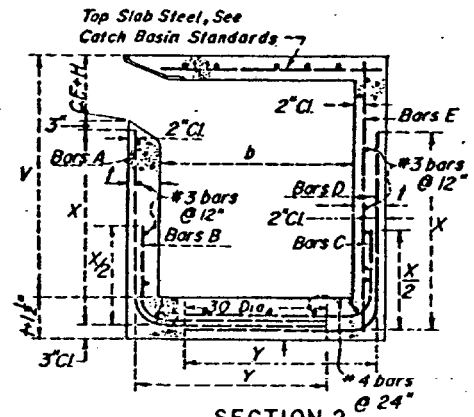


SECTION I

CATCH BASIN REINFORCEMENT—"W" to 14' (Incl.)

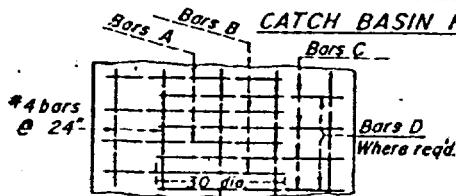
V(ft.)		I (in)	FRONT WALL STEEL		REAR WALL STEEL			END WALL STEEL
From	To (incl)		Bars A & B	Bars C	Bars D	Bars E	Hor. & Vert.	
	4	6	* 3 @ 24"	*3 @ 12"	---	*4 @ 24"	* 3 @ 18"	
	4	5	8	* 3 @ 20"	*3 @ 12"	---	*4 @ 24"	* 3 @ 14"
	5	6	8	* 3 @ 12"	*3 @ 10"	---	*4 @ 24"	* 3 @ 14"
	6	7	8	* 4 @ 17"	*3 @ 8 1/2"	---	*4 @ 24"	* 3 @ 14"
	7	8	8	* 4 @ 13"	*3 @ 6 1/2"	---	*4 @ 24"	* 3 @ 14"
	8	9	10	* 4 @ 15"	*3 @ 7 1/2"	---	*4 @ 20"	* 3 @ 11"
	9	10	10	* 4 @ 12"	*4 @ 12"	---	*4 @ 20"	* 3 @ 11"
	10	11	10	* 5 @ 15"	---	*4 @ 11"	*4 @ 18"	* 3 @ 11"
	11	12	10	* 6 @ 18"	---	*4 @ 9"	*4 @ 13"	* 3 @ 11"

WALL AND FLOOR STEEL



SECTION 2

CATCH BASIN REINFORCEMENT—"W" GREATER THAN 14'



FLOOR REINFORCEMENT SECTION 2

NOTES

1. Wall & floor reinforcing shown hereon shall be used with Catch Basin Standard Drawings.
2. Reinforcing steel shown hereon shall be used in all Catch Basins on State Highways regardless of basin length or depth.
3. Omit wall & floor steel reinforcing under the following conditions:

Basin length = W

Basin depth = V

3.5'

All

7.0'

Up to 10'

14.0'

" " 7'

21.0'

" " 6'

CITY OF HEMET PUBLIC WORKS DEPARTMENT

CATCH BASIN RE-INFORCEMENT

SHEET 3 OF 3
STANDARD NO.

CITY ENGINEER

Robert D. [Signature] 7.26.89

D-300B