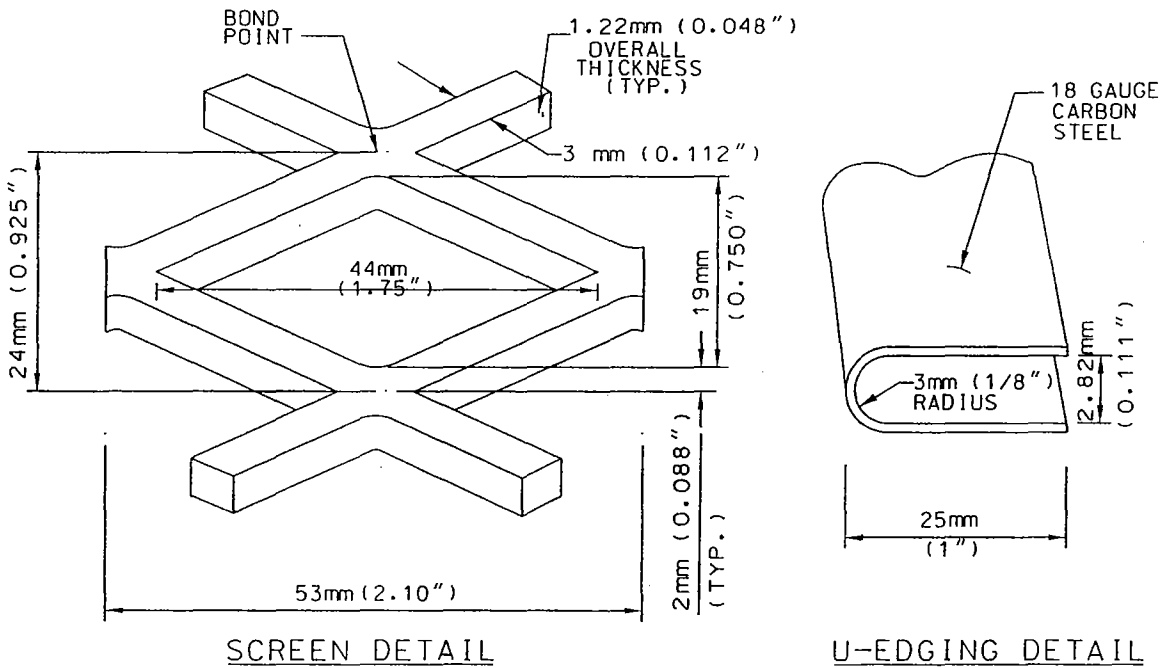


NOTE: TRASH EXCLUDER SCREEN
 THE HEIGHT SHOWN FOR TRASH EXCLUDER SCREEN DOES NOT INCLUDE U-EDGING THICKNESS.



LOS ANGELES COUNTY DEPARTMENT OF PUBLIC WORKS

CATCH BASIN TRASH EXCLUDER SCREEN

STANDARD PLAN
 WQ 386

APPROVED

DIRECTOR OF PUBLIC WORKS

DATE

SHEET 1 OF 2

SPECIFICATIONS:

1. TRASH EXCLUDER SCREEN SHALL BE STYLE 3/4" - #16F 1.22mm (0.048") CARBON STEEL-FLATTENED EXPANDED METAL.
2. THE SCREEN SHALL BE BOND SHEARED AT ONE END SIDE AND ALONG THE BOTTOM SIDE, WHICH WILL BE LOCATED ALONG THE CATCH BASIN GUTTER LINE. THE TOP SIDE SHALL BE SHEARED TO FIT THE REQUIRED HEIGHT OF THE SCREEN.
WHERE THE TRASH EXCLUDER SCREEN IS INSTALLED IN SECTIONS FOR W2=14' OR 21', JOINED VERTICAL EDGES SHALL BE BOND SHEARED. A SCREEN BRACE SHALL BE INSTALLED AT VERTICAL JOINTS IN ACCORDANCE WITH STANDARD PLAN WQ 300. U-EDGING SHALL NOT BE USED AT VERTICAL JOINTS.
3. THE EDGE OF THE SCREEN SHALL BE GROUND TO REMOVE SHARP EDGES.
4. THE SCREEN SHALL BE BE FABRICATED ACCORDING TO AMERICAN SOCIETY FOR TESTING AND MATERIALS (ASTM) A36 STEEL HOT-DIPPED GALVANIZED PER 210-3 OF THE STANDARD SPECIFICATION FOR PUBLIC WORKS CONSTRUCTION (SSPWC) OR UNCOATED TYPE 316 STAINLESS STEEL.
5. THE SCREEN SHALL BE FRAMED ON FOUR SIDES WITH A U-EDGING MANUFACTURED FROM 18 GAUGE CARBON STEEL.
6. U-FRAMED CORNERS MAY BE MITERED OR BUTT JOINTED.
7. U-FRAMED SHALL BE SPOT WELDED TO THE SCREEN AT 53mm (2-1/10") MAXIMUM SPACING ON THE SIDE OF THE SCREEN INSIDE THE CATCH BASIN.
8. ALL SCREEN MATERIALS SHALL BE POWDER COATED AFTER ASSEMBLY AND HAVE A FOUR STAGE IRON PHOSPHATE PRETREATMENT, NON-ZINC PRIMER, AND TGIC POLYESTER TOP COAT.
9. THE SCREEN SHALL BE SPOT WELDED TO SCREEN BRACES ON BOTH SIDES AT EACH SCREEN BOND POINT OR STRAND.

LOS ANGELES COUNTY DEPARTMENT OF PUBLIC WORKS

CATCH BASIN TRASH EXCLUDER SCREEN

STANDARD PLAN
WQ 386

APPROVED

DIRECTOR OF PUBLIC WORKS

DATE

SHEET 2 OF 2