



LBIW Inc.

2020 WEST 14TH STREET
 LONG BEACH, CA. 90813
 Tel No. : (562) 432.5451
 Fax No. : (562) 435.5929

www.lbiw.com

PRODUCT NUMBER

LB 24-12

RECTANGULAR
 GRATE



LOAD RATING

TRAFFIC RATED

SPECIFICATIONS

MATERIAL : ASTM A36
COATING : ASTM A123
 (GALVANIZING)
 : MILL FINISH
 (UNCOATED)

MADE IN USA

EST. WEIGHT

LBS

STANDARD PLAN REFERENCE

*CALTRANS D77A

DRAWN

EB

DATE

05-29-09

REVISED

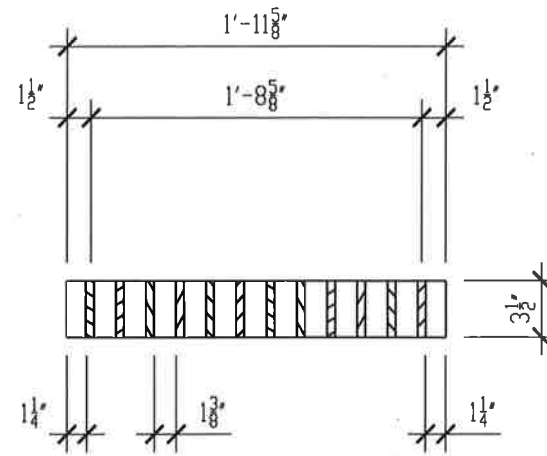
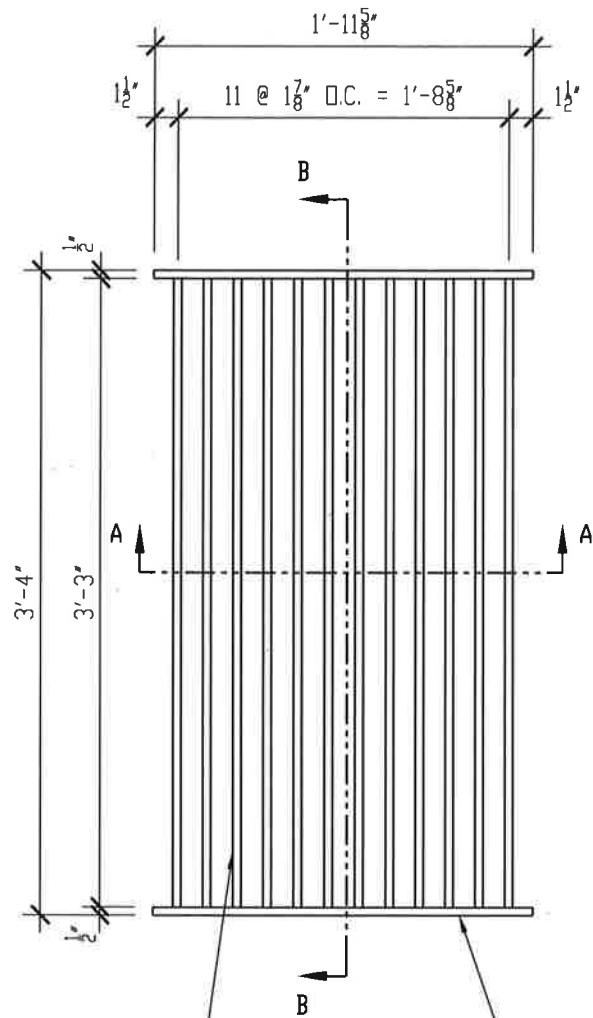
11-09-16

DATE

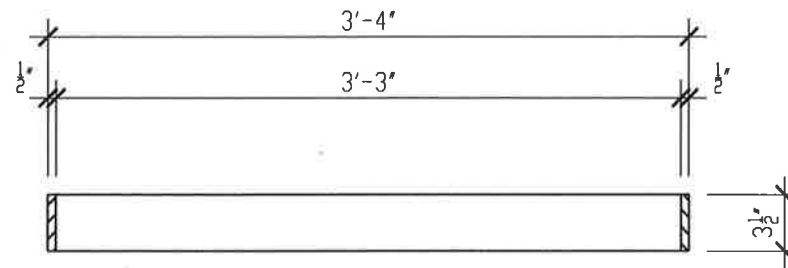
REFERENCE INFORMATION

LBIW CATALOG
 SECTION 07

REVISED 2016 EB



SECTION A-A



SECTION B-B

FB1/2X3 1/2 BEARING BAR
 FB1/2X3 1/2 END BAR

LB 24-12 RECTANGULAR GRATE