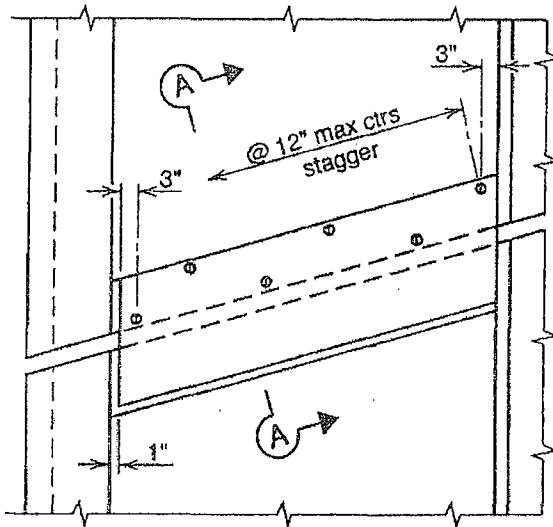
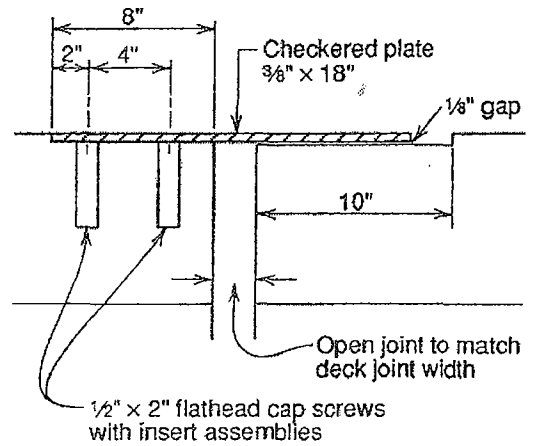


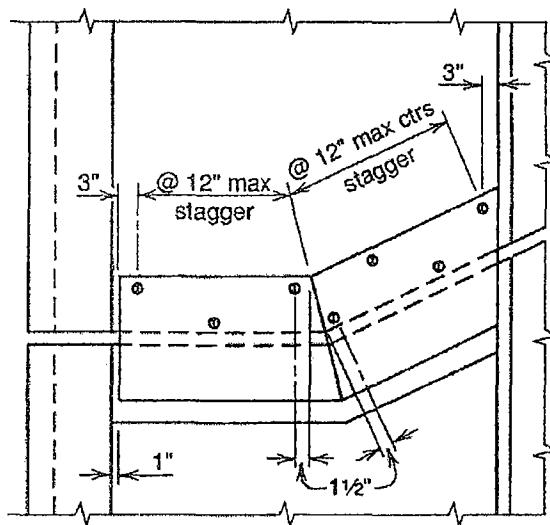
Sidewalk Expansion Joint Armor



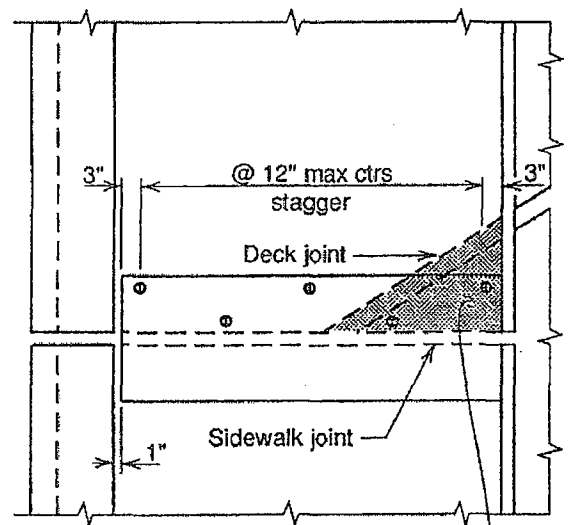
Skew $\le 20^\circ$



Section A-A



Skew $> 20^\circ$



Use $\begin{matrix} \text{B0-13} \\ \text{13-1} \end{matrix}$ on top of deck under sidewalk.
Use 1/2" expanded polystyrene.

Skew $> 20^\circ$ Alternate

PLAN

Note: Detail bolts to miss utilities when present in sidewalk.