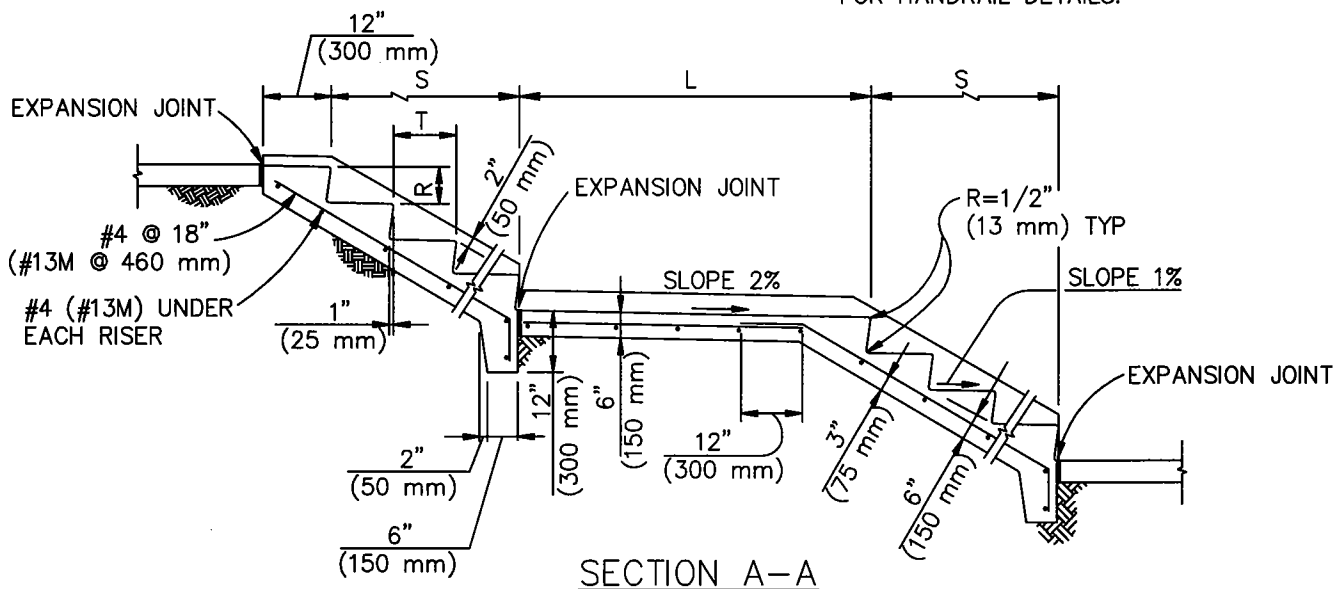
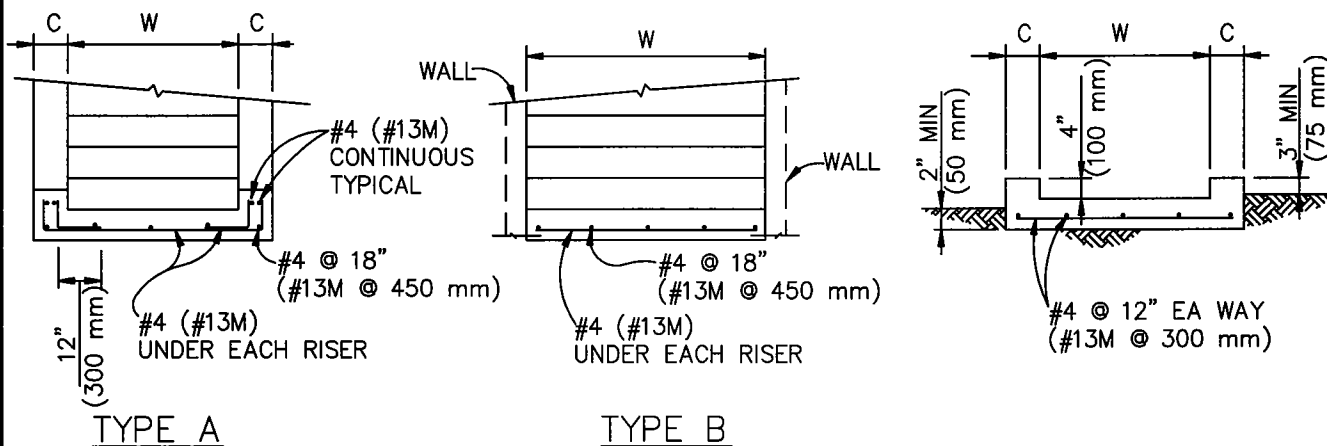


PLAN

SEE PLANS OR SPPWC 606 FOR HANDRAIL DETAILS.



SECTION A-A



TYPE A

TYPE B

SECTION B-B

SECTION C-C

STANDARD PLANS FOR PUBLIC WORKS CONSTRUCTION

PROMULGATED BY THE
PUBLIC WORKS STANDARDS INC.
GREENBOOK COMMITTEE
1993
REV. 1996, 2005, 2009

REINFORCED CONCRETE STAIRWAY

STANDARD PLAN

640-3

USE WITH STANDARD SPECIFICATIONS FOR PUBLIC WORKS CONSTRUCTION

SHEET 1 OF 2