

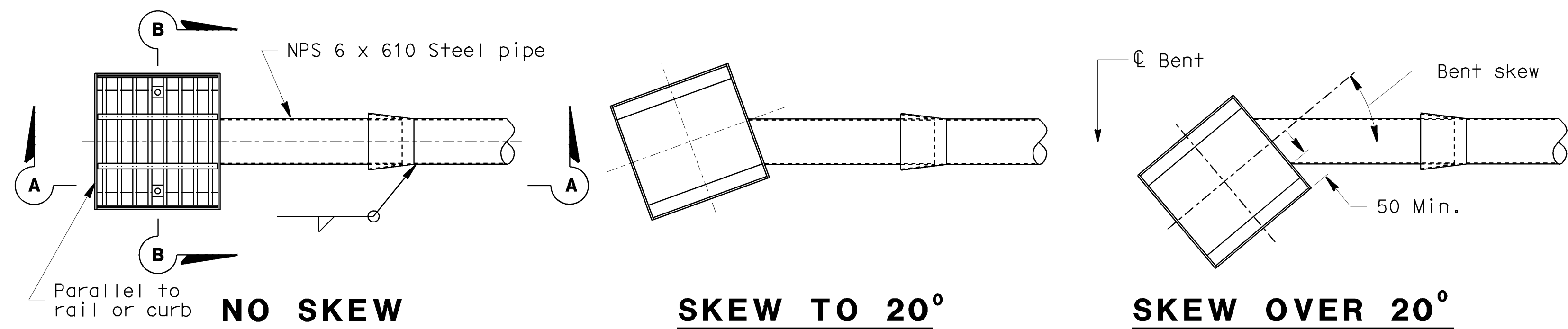
DIST.	COUNTY	ROUTE	KILOMETER POST TOTAL PROJECT	SHEET NO.	TOTAL SHEETS

REGISTERED ENGINEER - CIVIL

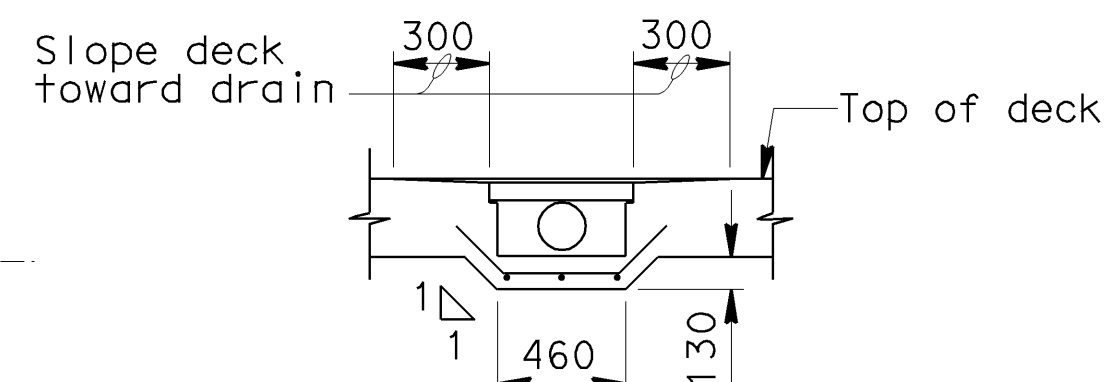
PLANS APPROVAL DATE \_\_\_\_\_

The State of California or its officers or agents shall not be responsible for the accuracy or completeness of electronic copies of this plan sheet.

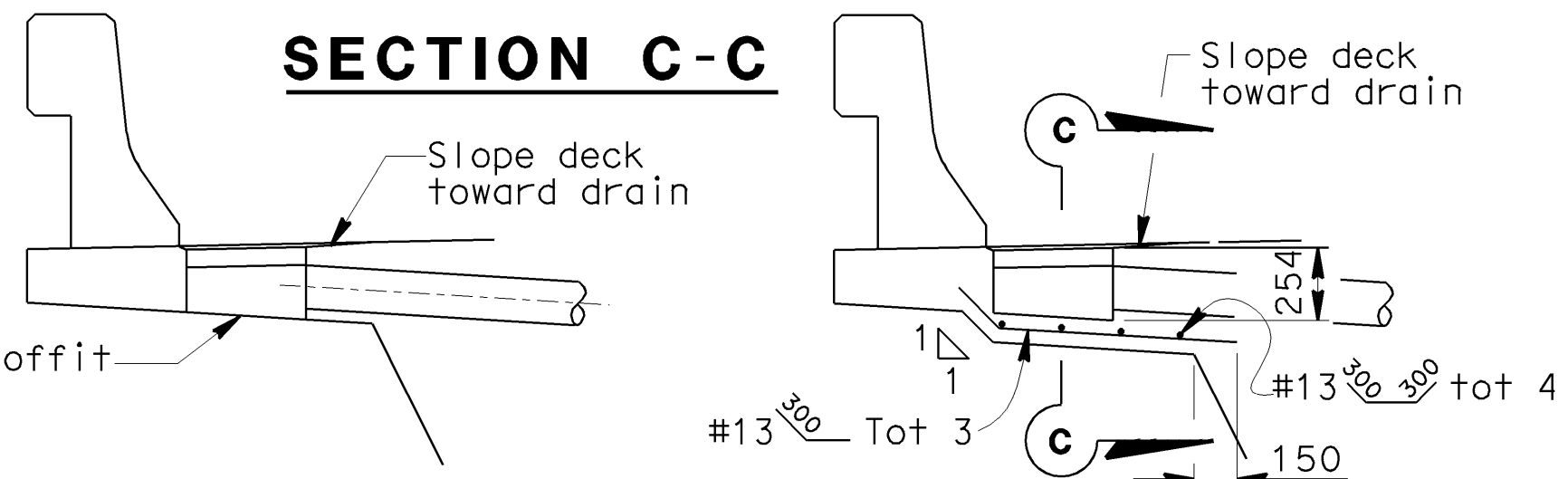
PROFESSIONAL ENGINEER  
No. \_\_\_\_\_  
Exp. \_\_\_\_\_  
CIVIL  
STATE OF CALIFORNIA



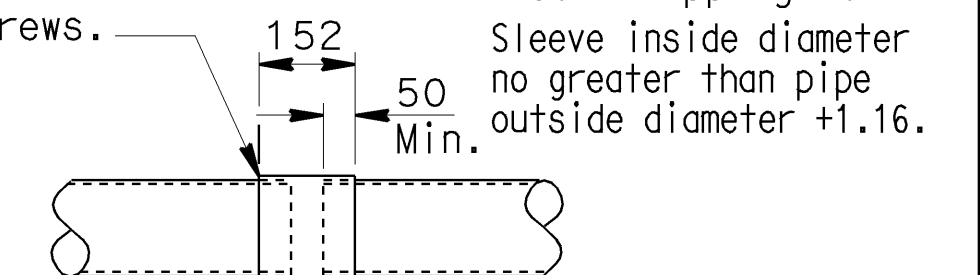
**PLAN-DECK DRAIN ASSEMBLY**



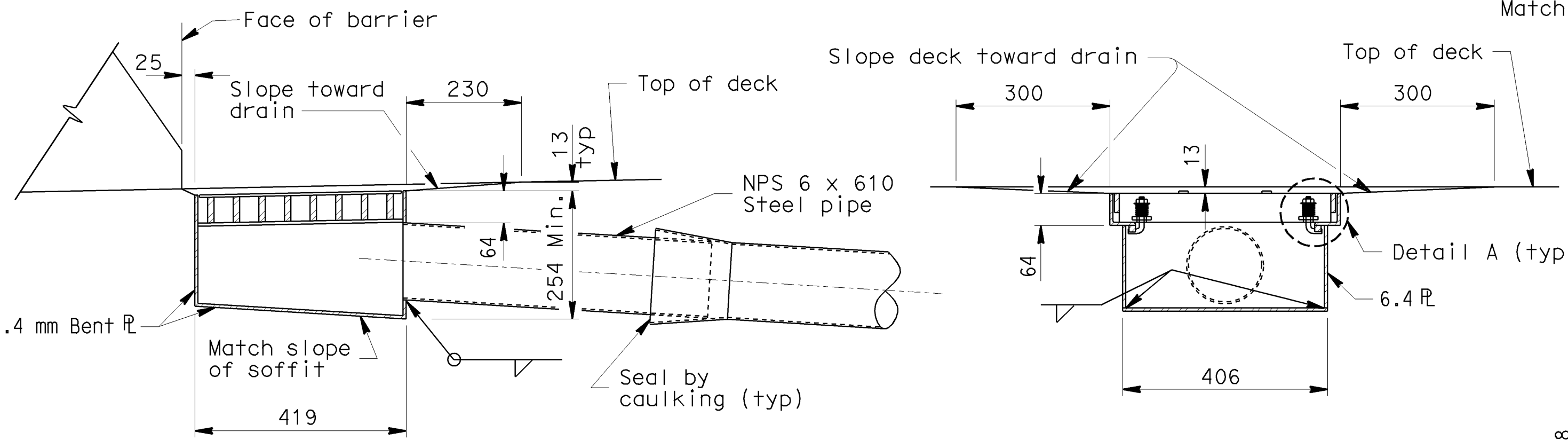
**SECTION C-C**



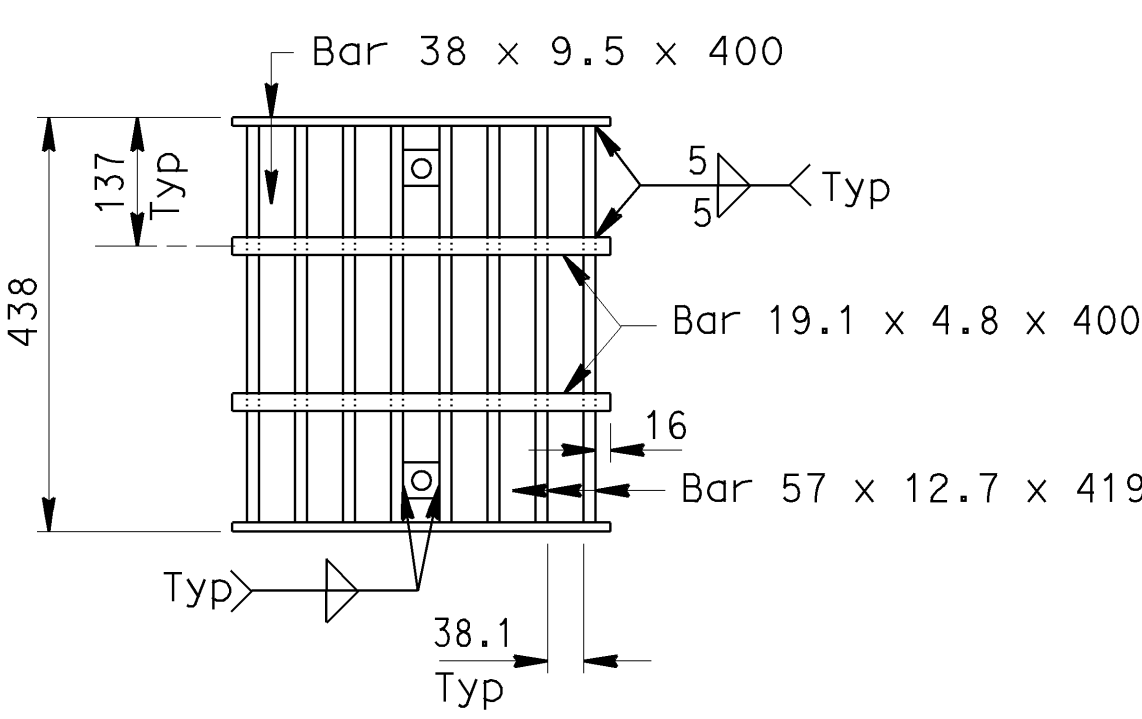
**ELEVATION-DECK DRAIN LOCATIONS**



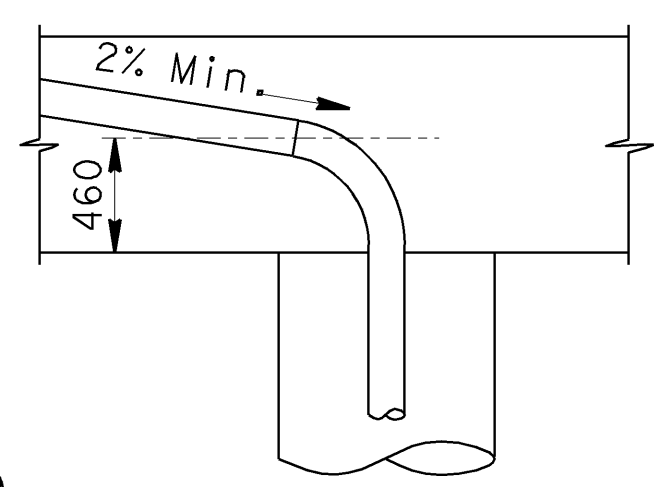
**SLEEVE CONNECTION**



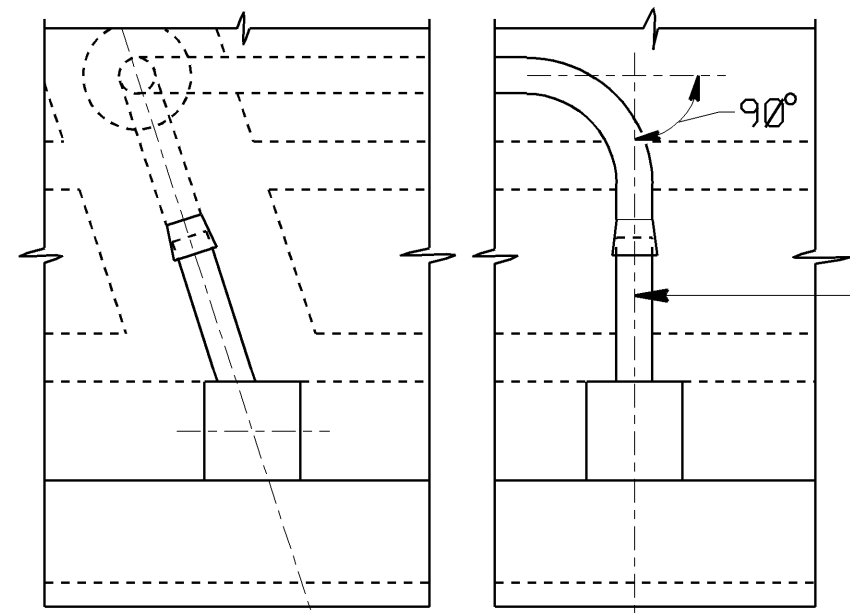
**DECK DRAIN ASSEMBLY DETAIL**



**GRATE**

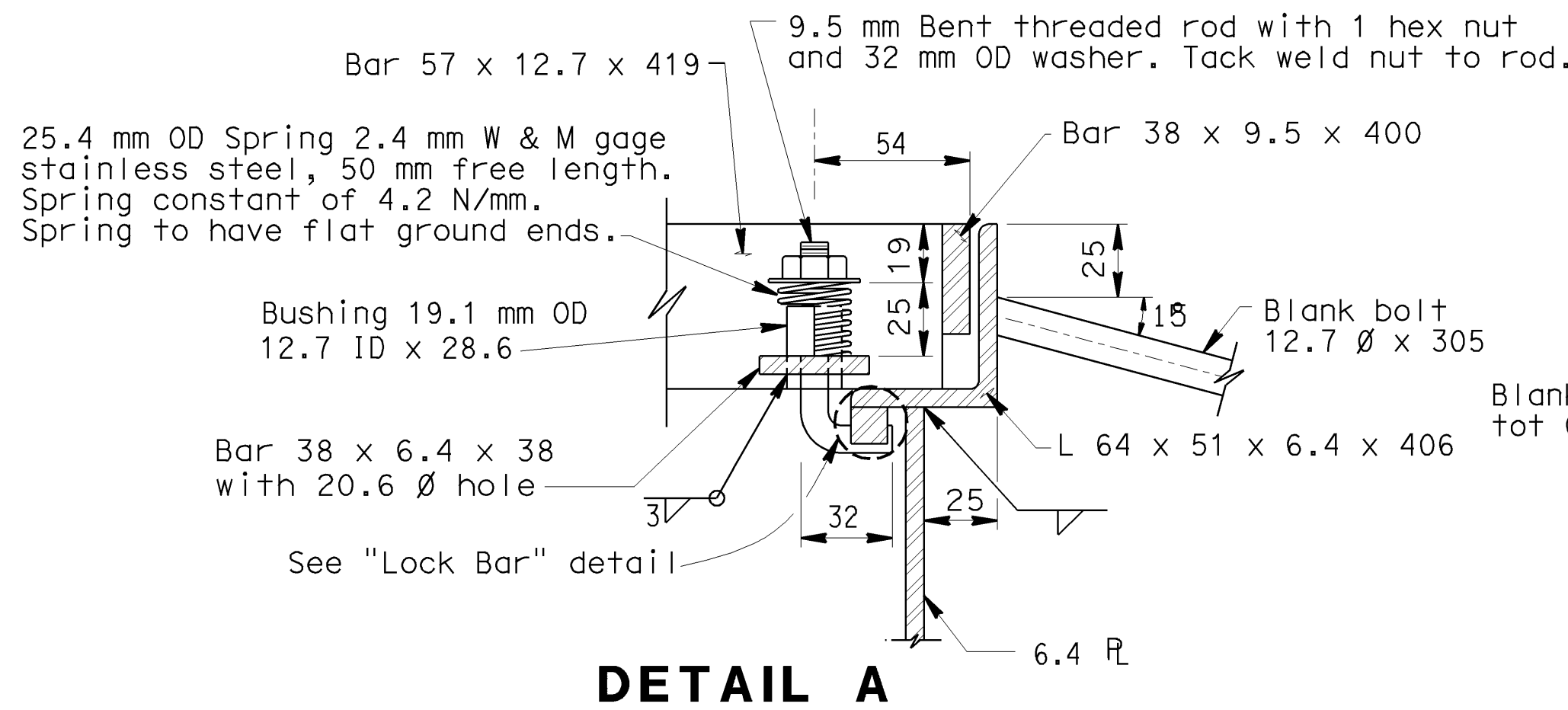


**VERTICAL**

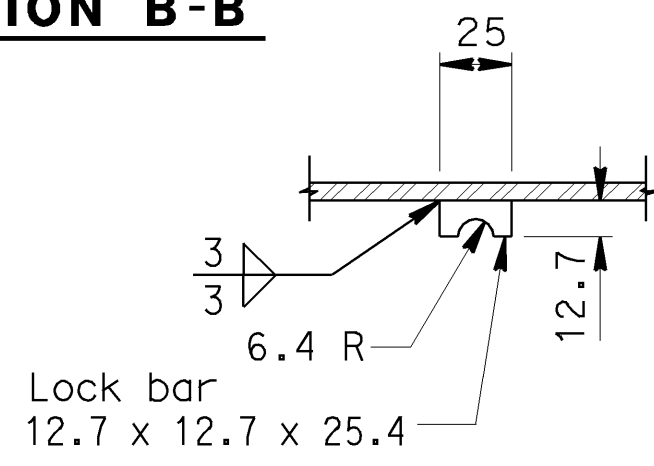


**HORIZONTAL**

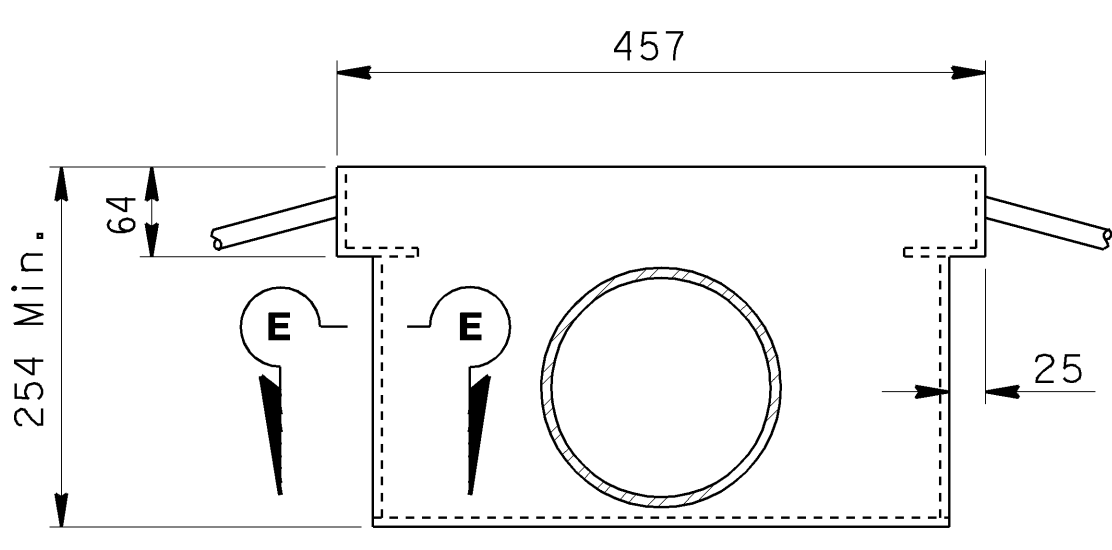
**DRAIN PIPE ALIGNMENT**



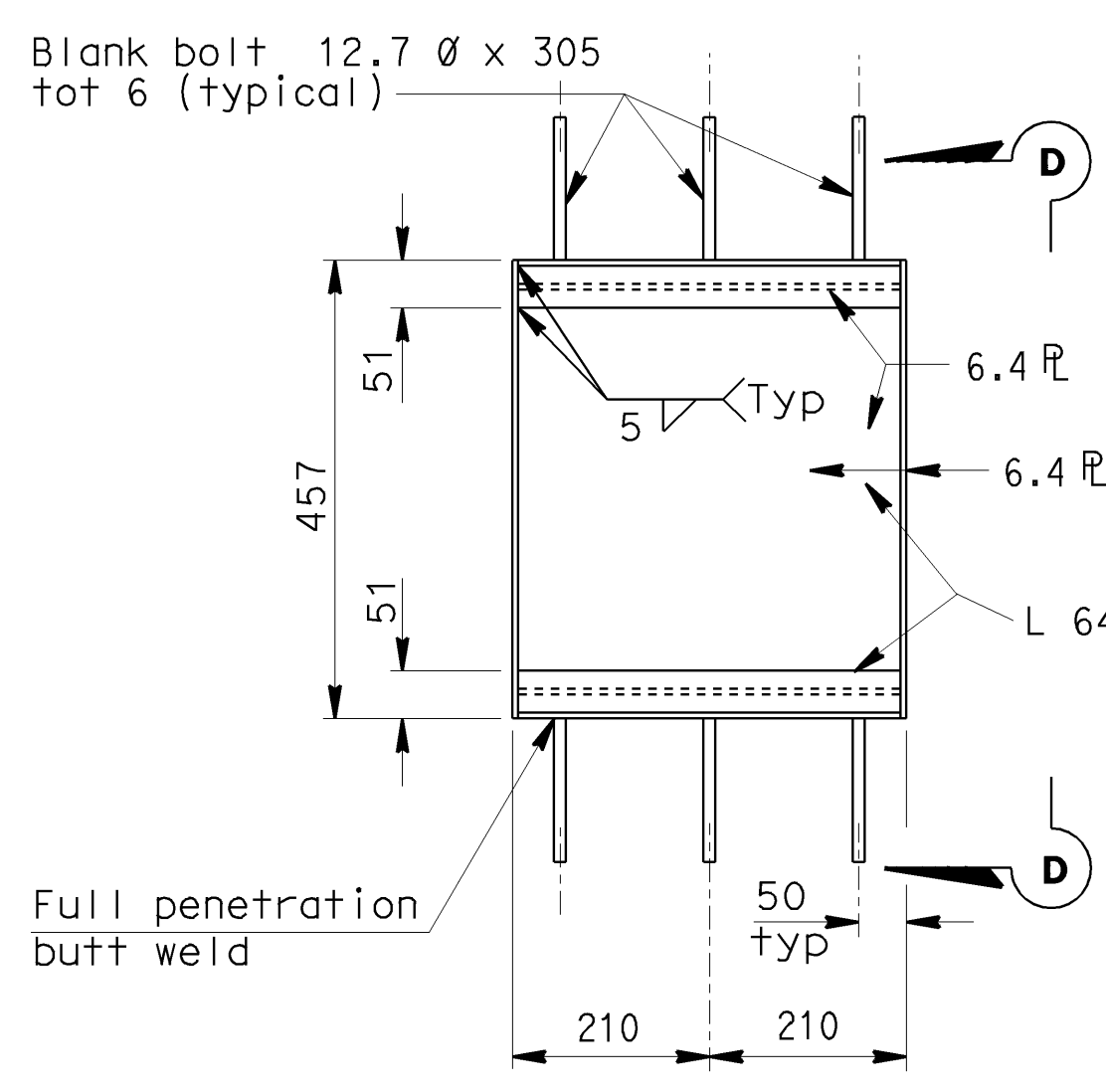
**DETAIL A**



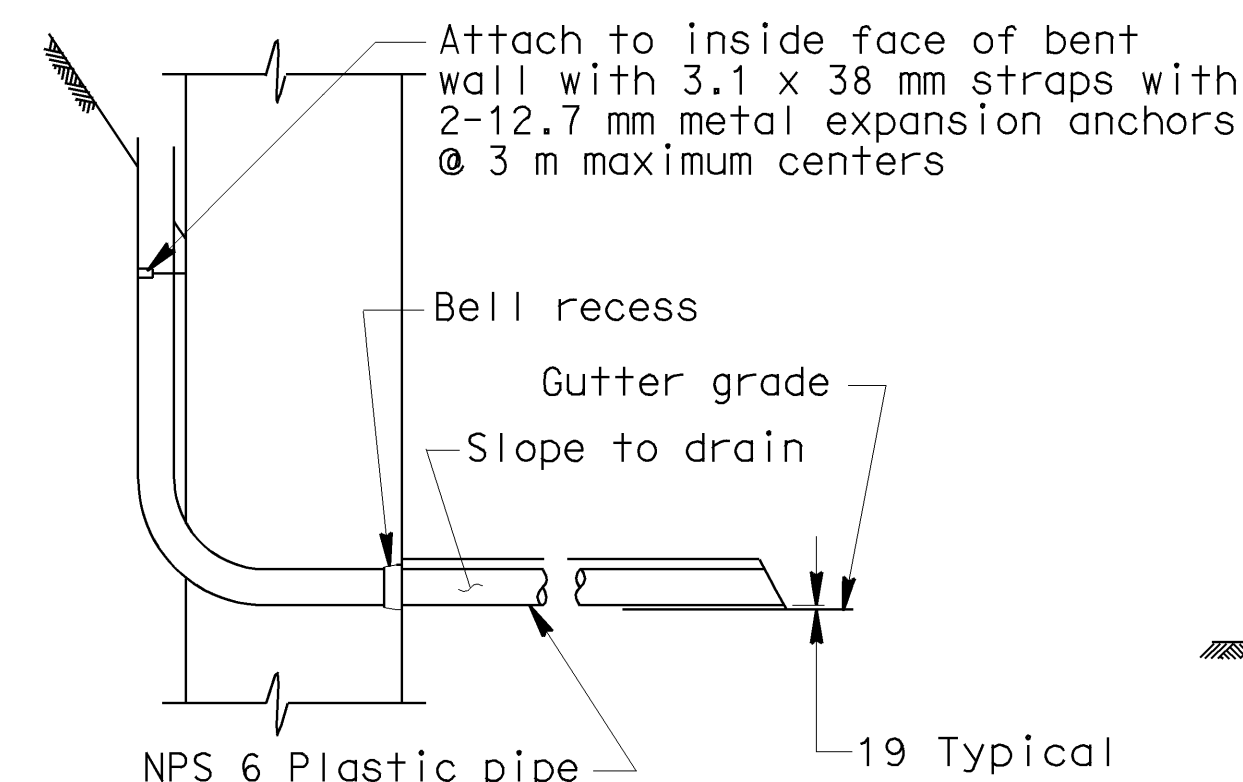
**LOCK BAR**



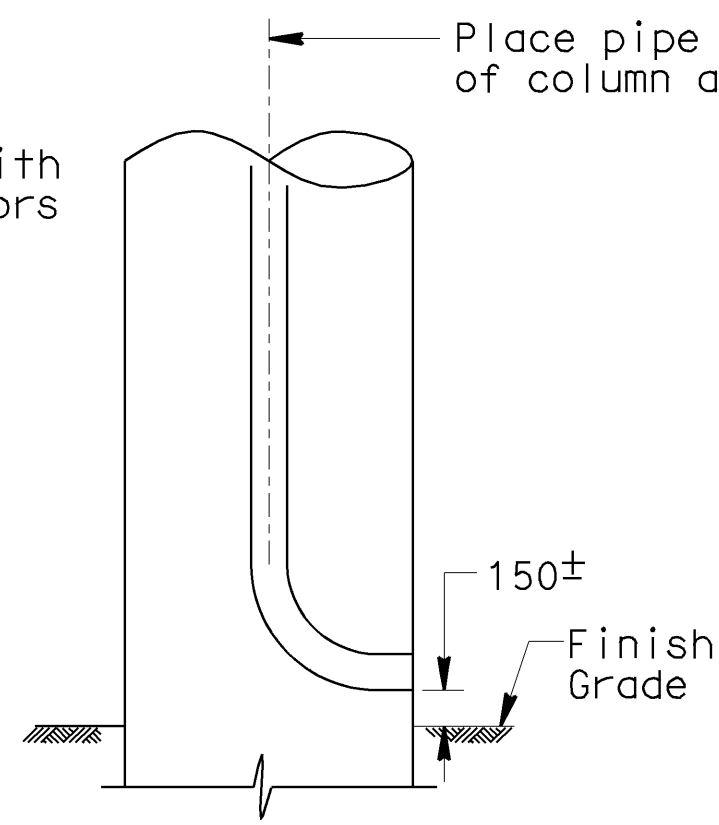
**VIEW D-D**



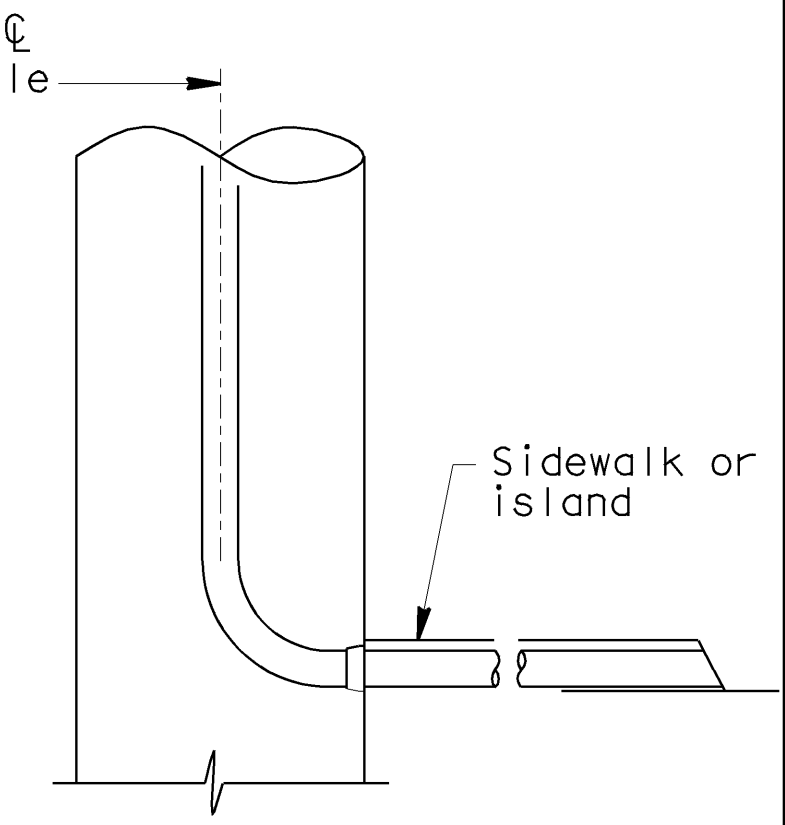
**FRAME**



**AT WALL TYPE BENT**



**AT COLUMN TYPE BENT ABOVE GROUND**



**AT COLUMN TYPE BENT UNDER CURB**

**DRAIN OUTLET**

**NOTES:**  
All pipe to be NPS 6 x 3.43 welded steel pipe except as noted and galvanized if not encased in concrete. Fittings and bends shall have a minimum wall thickness of 3.1 mm. All joints or connections to be butt welded or connected by a steel pipe sleeve and to be smooth throughout inside of pipe except as noted. All bends to be 460 min. radius measured along  $\bar{C}$  pipe. All bends to be smooth. Pipes not encased in concrete to be supported by suitable galvanized hangers @ 3 m maximum spacing throughout. Galvanize deck drain assembly after fabrication.

NO SCALE ALL DIMENSIONS ARE IN MILLIMETERS UNLESS OTHERWISE SHOWN

STANDARD DRAWING			
RELEASE DATE <b>4/18/97</b>	DESIGN BY <i>S. WIMAN</i>	CHECKED <i>M. LEWIS</i>	RELEASED BY <i>[Signature]</i>
FILE NO. <b>xs10-020</b>	DETAILS BY <i>G. WILLIFORD</i>	CHECKED <i>M. LEWIS</i>	
	SUBMITTED BY <i>S. D. WIMAN</i>	DRAWING DATE <b>8/96</b>	OFFICE CHIEF

STATE OF CALIFORNIA  
DEPARTMENT OF TRANSPORTATION  
DIVISION OF ENGINEERING SERVICES

BRIDGE NO.	KILOMETER POST	DECK DRAIN TYPE D-2 MODIFIED