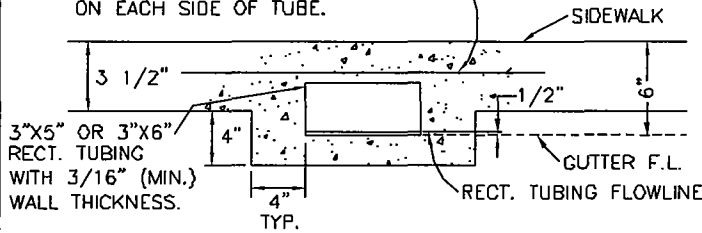


### 3" DIAMETER PIPE UNDER WALK

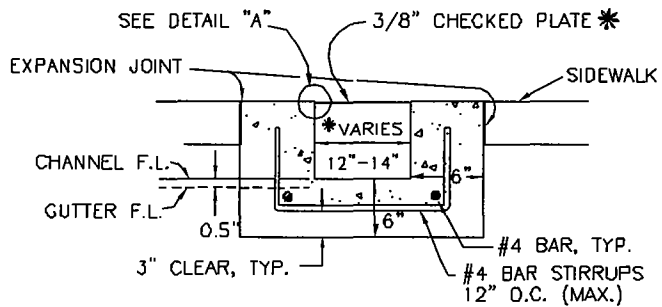
PROVIDE TWO LAYERS OF 6" X 6" WELDED WIRE MESH GAGE NO. 10, EXTEND 12" (MIN.) ON EACH SIDE OF TUBE.



### RECTANGULAR STEEL TUBING UNDER WALK

**NOTES:**

1. FOR 3" OR SMALLER DIAMETER PIPE, SCH. 40 PVC IS PERMITTED.
2. DRAIN SHALL NOT BE CONSTRUCTED UNDER A DRIVEWAY APPROACH.
3. SIDEWALK DRAINS, EXCEPT CHANNELS, SHALL BE ANGLED THROUGH SIDEWALK IN DIRECTION OF GUTTER FLOW.
4. ALL DRAINS AND CHANNELS SHALL BE FLUSH W/FACE OF CURB.
5. DRAIN SLOPES SHALL BE 0.0100 FT/FT (MIN.) AND 0.042 FT/FT (MAX.)
6. SURFACE DRAINAGE OVER DRIVEWAY APPROACHES AND SIDEWALKS IS NOT PERMITTED WHEN THE AREA TO BE DRAINED EXCEEDS 1/4 ACRE.

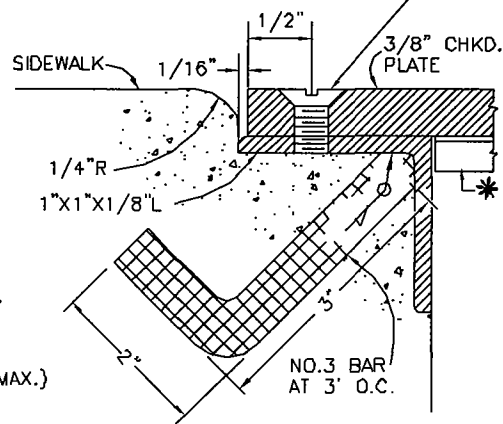


### CHANNEL THROUGH WALK

\*CHANNELS CAN BE WIDER UPON APPROVAL

\* ONE SECTION OF 3/8" CHECKED PLATE SHALL NOT EXCEED 5 FEET IN LENGTH. FOR CHANNELS WIDER THAN 14" AND UP TO 24", PROVIDE 1" X 1" X 3/16" ANGLE IRON AT 12" O.C. WELDED ON THE UNDERSIDE OF THE CHECKED PLATE.

1/4"-20 N.C. X 1/2" F.H.M.S AT 24" O.C.



DETAIL "A"

#### AREAS TO BE DRAINED FROM PRIVATE PROPERTY TO PUBLIC STREETS

SURFACE AREA	TYPE OF SURFACE	DRAIN AREA REQUIRED	SIZE & NO. OF PIPES OR RECTANGULAR STEEL TUBE	SIZE & NO. OF CHANNELS
2 ACRES 200'X400'	PAVED GRASS	100 SQ. IN. 25 SQ. IN.	2-3"x6" RECT. TUBES	2-4"x14"
1.5 ACRES 200'X300'	PAVED GRASS	75 SQ. IN. 20 SQ. IN.	1-3" PIPE & 1-3"x6" R.T.	2-3"x12"
1 ACRE 200'X200'	PAVED GRASS	50 SQ. IN. 12 SQ. IN.	1-3"x5" RECT. TUBE	1-4"x14"
0.75 ACRE 150'X200'	PAVED GRASS	40 SQ. IN. 10 SQ. IN.	3-3"x6" RECT. TUBE or 1-3"x5" RECT. TUBE	1-4"x14"
0.5 ACRE 100'X200'	PAVED GRASS	30 SQ. IN. 6 SQ. IN.	2-3"x6" RECT. TUBE or 1-3" PIPE	1-3"x12"
0.25 ACRE 100'X100'	PAVED GRASS	16 SQ. IN. 3 SQ. IN.	1-3" PIPE & 1-3"x5" R.T. 1-3" PIPE	

USE 1 ACRE = 200'X200' OR 100'X400'

AREA 3" DIA. PIPE = 7.1 SQ. IN.  
 AREA 3"x5" RECT. TUBE = 12.3 SQ. IN.  
 AREA 3"x6" RECT. TUBE = 14.9 SQ. IN.

AREA 4"x14" CHANNEL = 56 SQ. IN.  
 AREA 3"x12" CHANNEL = 36 SQ. IN.