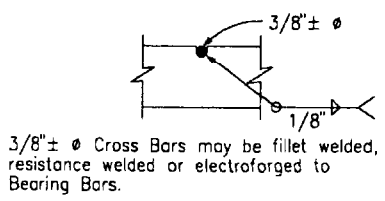
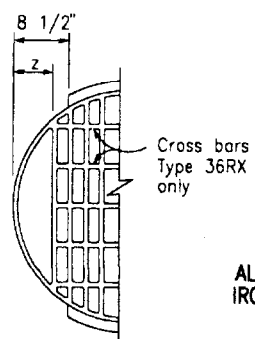


TYPE 36R AND 36RX GRATE DETAILS

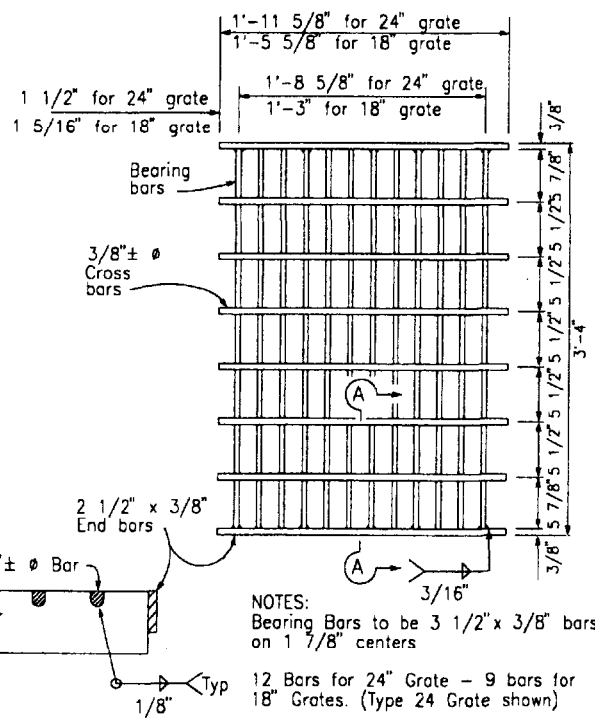


CROSS BAR DETAIL TYPE 36RX GRATE (WELDED STEEL)



CROSS BAR DETAIL ALTERNATIVE CAST NODULAR IRON GRATE OR CAST STEEL GRATE TYPE 36RX

MODIFIED TYPE 36R & 36RX GRATE FOR ODI INLET



NOTES:
 Bearing Bars to be 3 1/2" x 3/8" bars on 1 7/8" centers
 Weight of 24" Grate = 192 lbs.
 Weight of 18" Grate = 145 lbs.
 3/8" ± Ø Cross Bars may be fillet welded, resistance welded or electroforged to Bearing Bars.

TYPE 18-9X AND 24-12X GRATE (Welded Steel)

See also Standard D.8

Approved:

AM 4 29 JUNE 07
 Director of Public Works/
 Designee

AA 29 June 07
 R. James Garing, RCE 26993
 City Engineer



City of Grover Beach

Grate Details

D.7