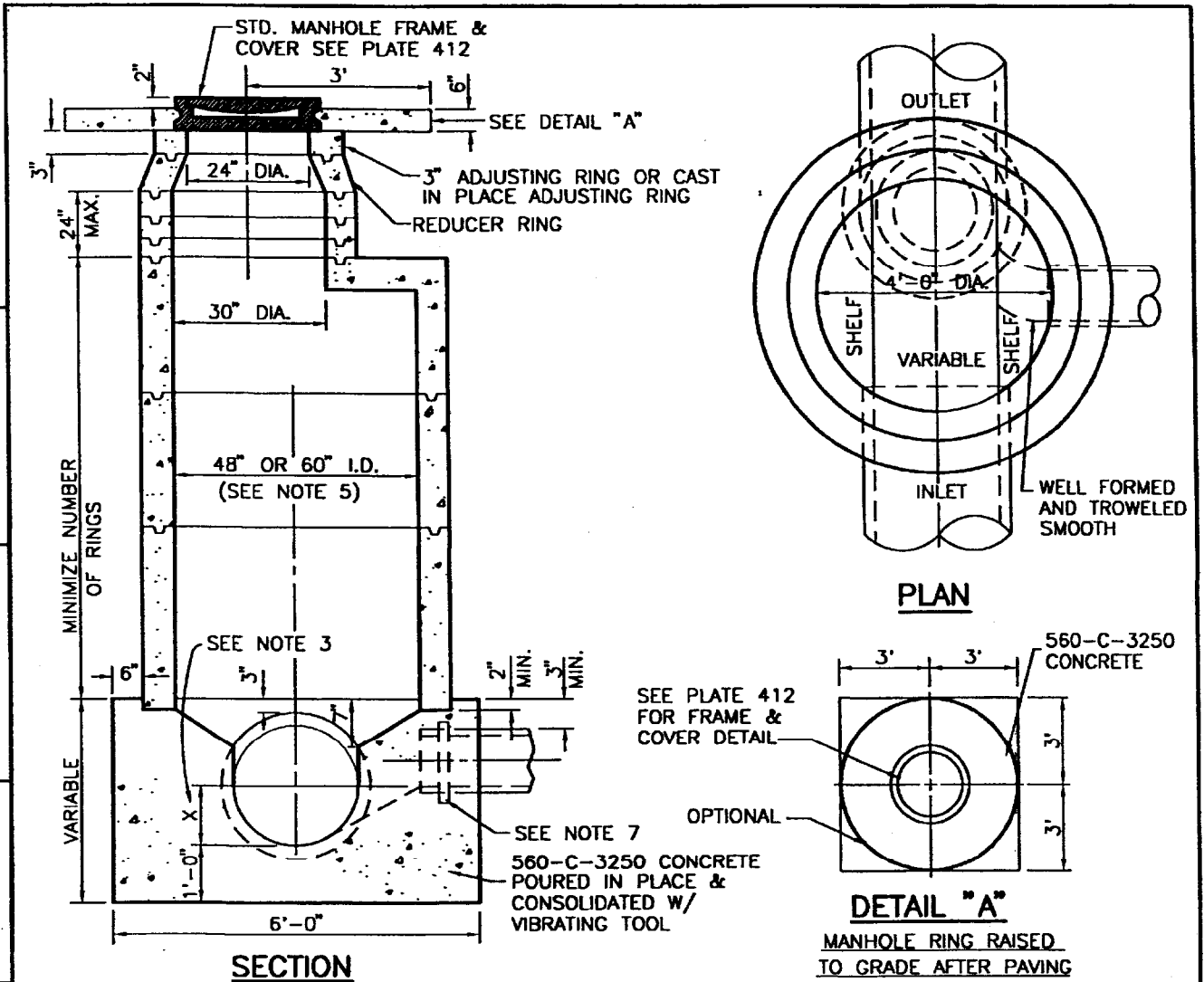


REV.	APPR. BY	DATE

REV.	APPR. BY	DATE



NOTES:

1. MANHOLE SHAFT SHALL BE LINED WITH DURAPLATE A-LOK OR APPROVED EQUAL. POURED IN PLACE BASE AND ALL OTHER UNLINED CONCRETE SURFACES SHALL HAVE A PROTECTIVE COATING PER SHEET 2.
2. SHAFT THICKNESS=6" MIN. FOR NON-REINFORCED SECTIONS, 5" MIN. FOR REINFORCED SECTIONS.
3. WHEN MAIN SEWER IS 15" DIA. OR LARGER AND LATERAL SEWER IS 10" DIA. OR LESS, X=1/2 DIA. OF THE LARGER.
4. JOINTS SHALL BE TONGUE AND GROOVE TYPE, SIMILAR OR EQUAL TO THAT MANUFACTURED BY PRE-CON PRODUCTS, LTD. OR QUIKSET UTILITY VAULTS, INC., MASTIC SEALANT SHALL BE USED AT ALL JOINTS.
5. USE 48" I.D. M.H. FOR SEWERS UP TO AND INCLUDING, 30" I.D., ALL OTHERS USE 60" I.D.
6. STRAIGHT SIDE SHALL BE PLACED ON OPPOSITE SIDE OF LARGEST INLET.
7. A TIGHT FITTING RUBBER RING IS REQUIRED ON ALL PLASTIC PIPES.
8. SEE PLATE 408 FOR SHALLOW MANHOLES 3' OR LESS IN DEPTH.
9. MANHOLE CYLINDER CONES AND GRADE-RINGS SHALL CONTAIN IPANEX CONCRETE ADMIXTURE FOR WATERPROOFING OR BE CAST WITH TYPE V CEMENT.
10. FORM BOTTOM USING SANDBAGS OR WOOD FORMS.

	PRE-CAST CONCRETE MANHOLE		STANDARD PLAN 2002
	DRAWN: STAF	CKD.: STAFF <i>LB</i>	PLATE 400
Department of Public Works	APPR. <i>Granville M. Bowman</i>	Granville M. Bowman	SHEET 1 OF 2

PROTECTIVE COATING FOR SEWER STRUCTURES

1. DRY SANDBLAST ALL CONCRETE AND MORTAR SURFACES THAT HAVE CURED FOR AT LEAST SEVEN DAYS. THIS SHALL BE THE ONLY METHOD ALLOWED FOR SURFACE PREPARATION.
2. SACK ALL CONCRETE AND MORTAR SURFACES WITH 1:1 MORTAR TO REMOVE ALL SURFACE INDENTATIONS AND IMPERFECTIONS. WHEN MORTAR HAS CURED FOR TWO DAYS, REMOVE EXCESS DUST AND MORTAR WITH A STIFF NON-METALLIC BRUSH.
3. ALL INTERIOR SURFACES OF MANHOLE SHALL BE COATED WITH SANCON 100, SANCON 144, ZEBRON URETHANE COATING, OR SPRAYROQ "SPRAYWALL" POLY-URETHANE (OR APPROVED EQUAL) IN ACCORDANCE WITH MANUFACTURER'S REQUIREMENTS TO A 125 MIL ($\frac{1}{8}$ ") CURED THICKNESS (MIN.).
4. MANHOLE INTERIORS SHALL NOT BE EXPOSED TO TEST LIQUIDS OR SEWAGE UNTIL THE COATING HAS CURED FOR 7 DAYS.

REV.	DATE
APPR. BY	

REV.	DATE
APPR. BY	

 <p>CITY OF Oxnard</p>	PRE CAST CONCRETE MANHOLE		STANDARD PLAN 2002
	DRAWN: STAF	CKD.: STAFF <i>LB</i>	APPR. <i>Granville M. Bowman</i>
Department of Public Works			SHEET 2 OF 2