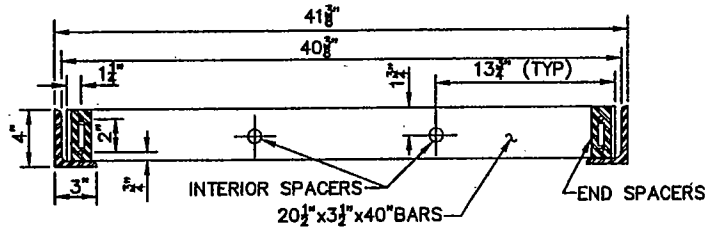
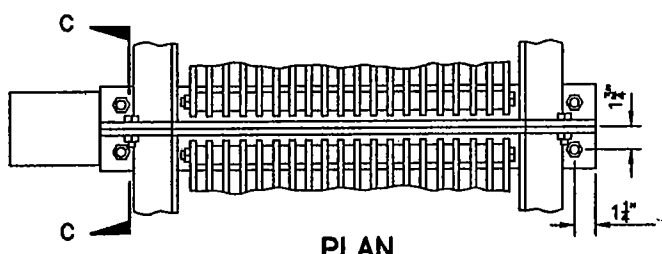
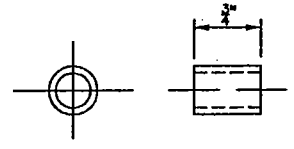


PLAN

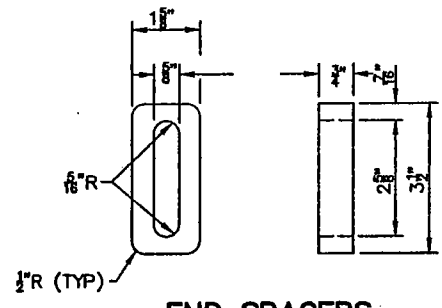
SECTION A-A



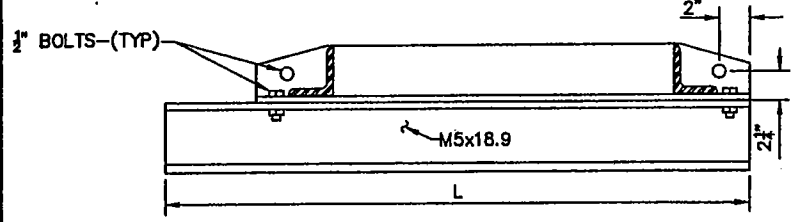
SECTION B-B



END SPACERS



SECTION C-C



CENTER SUPPORT ASSEMBLY

ALHAMBRA FOUNDRY A-1545 OR EQUAL - TRAFFIC
ALHAMBRA FOUNDRY A-1546 OR EQUAL - BICYCLE

THE PORT OF LONG BEACH ENGINEERING DIVISION

REVISIONS		FRAME AND GRATING FOR CATCH BASINS	STANDARD PLAN
NO.	DATE		D-13
△		APPROVED BY: _____ CHIEF HARBOR ENGINEER	1 OF 2
△			
△			
		R.E. NO.: _____	DATE: _____