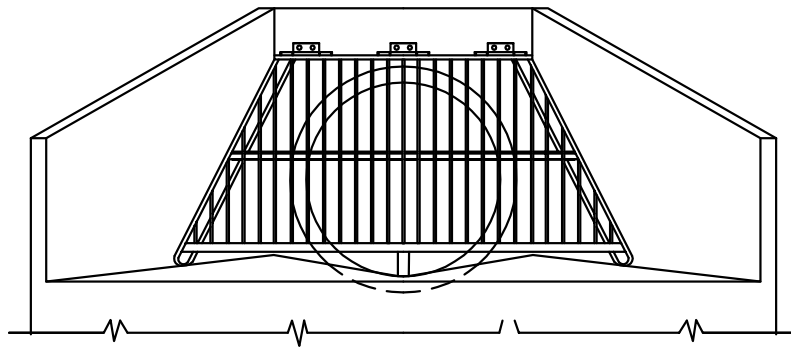


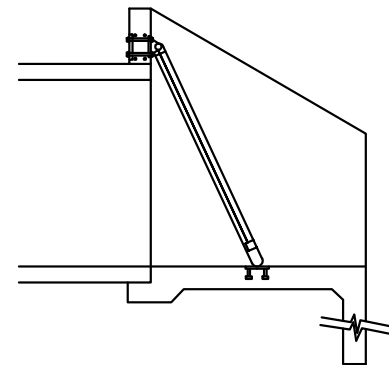


LBIW Inc.

2020 WEST 14TH STREET
 LONG BEACH, CA. 90813
 Tel No. : (562) 432.5451
 Fax No. : (562) 432.5929
 www.lbiw.com

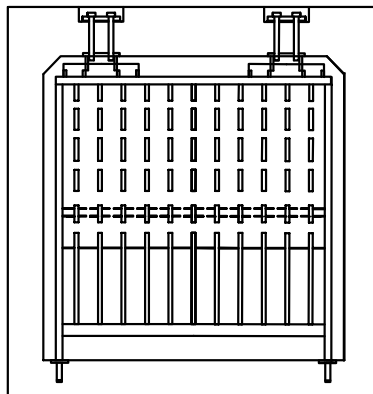


ELEVATION

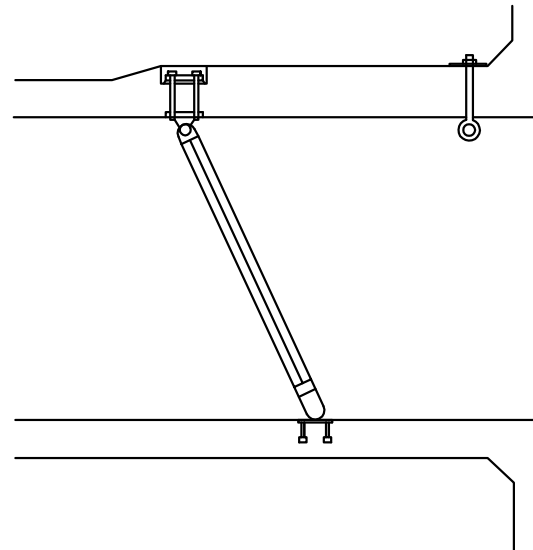


SECTION

TRAPEZOIDAL OUTLET BARRIER



ELEVATION



SECTION

TWO-HINGED INLET / OUTLET BARRIER

PRODUCT NUMBER

**LB 360 SLOPED
 PROTECTION
 BARRIER**

ESTIMATED WEIGHT

SPECIFICATION

APWA 360 / 361

OPEN AREA

DESIGNATES MACHINED

DRAWN

EB

DATE

03-16-09

REVISED

04-28-09

PC. MK. NO.

REFERENCE INFORMATION

SECTION 07