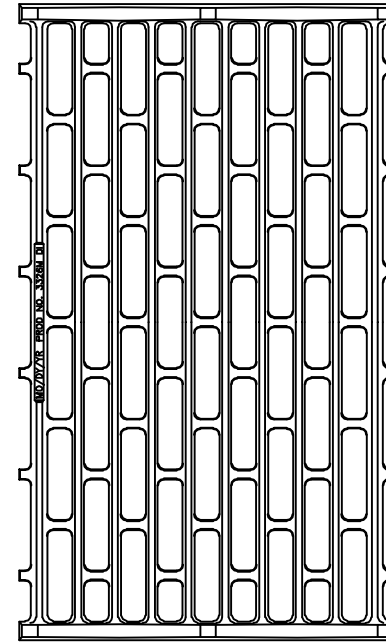
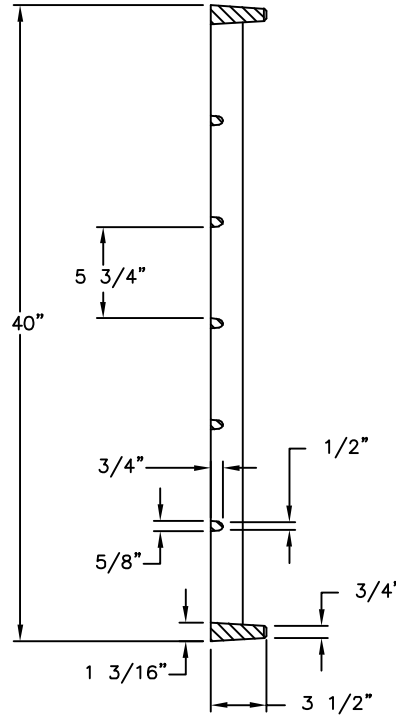
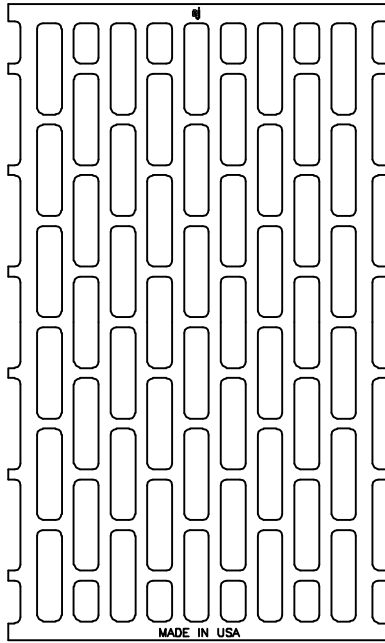
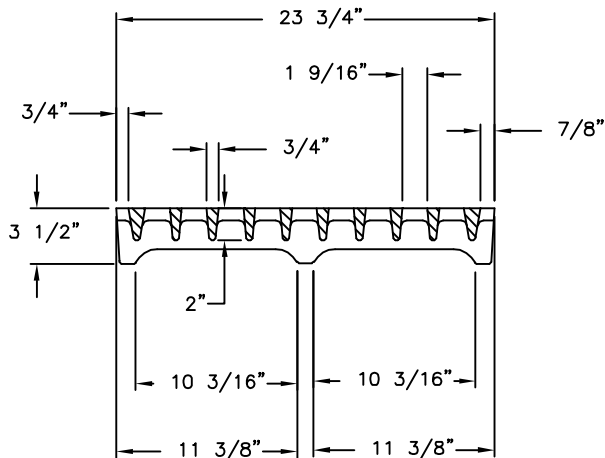


3326M Grate



SECTION



SECTION

Product Number

00332631

Design Features

- Materials
Ductile Iron (80-55-06)
- Load Rating
Medium Duty
- Open Area
529 sq in
- Coating
Undipped
- √ Designates Machined Surface

Certification

- ASTM A536
-
-
- Country of Origin: USA

Drawing Revision

10/26/2004 Designer: JIJ
10/20/2021 Revised By: MAH

Disclaimer

Weights (lbs./kg) dimensions (inches/mm) and drawings provided for your guidance. We reserve the right to modify specifications without prior notice.

CONFIDENTIAL: This drawing is the property of EJ GROUP, Inc., and embodies confidential information, registered marks, patents, trade secret information, and/or know how that is the property of EJ GROUP, Inc. Copyright © 2015 EJ GROUP, Inc. All rights reserved.

Contact

800 626 4653
ejco.com