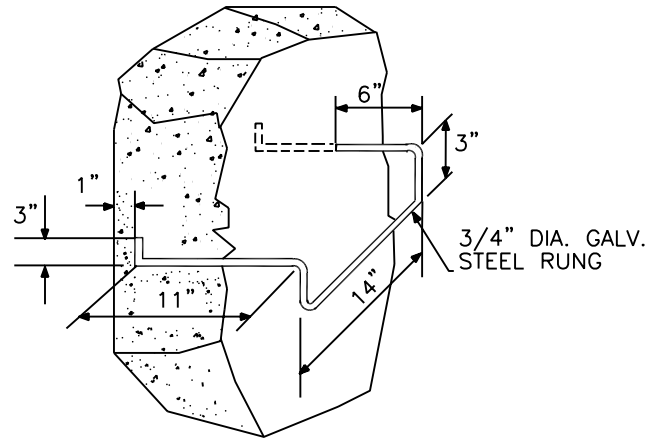


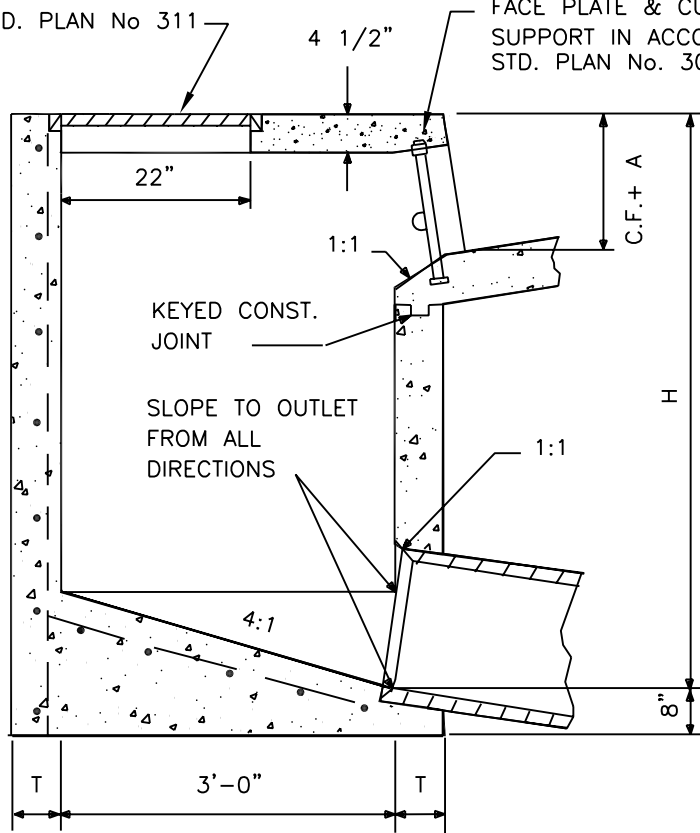
PLAN



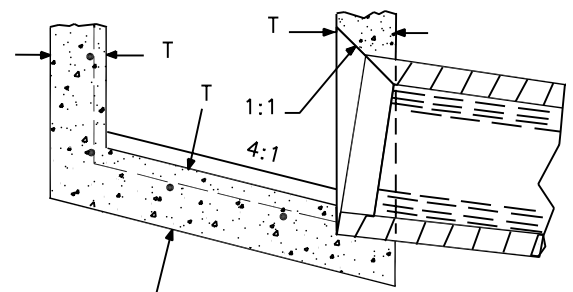
STEP DETAIL

FRAME & COVER  
IN ACCORDANCE WITH  
STD. PLAN No 311

FACE PLATE & CURB  
SUPPORT IN ACCORDANCE WITH  
STD. PLAN No. 302 OR 302A



SECTION A-A

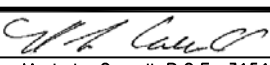


ALTERNATE FLOOR

<p>REVISIONS</p>	<p>CITY OF IRVINE</p>	<p>STANDARD PLAN No.</p>
	<p>CATCH BASIN TYPE I</p>	<p>300</p>
	<p>Approved by: <i>Mark L. Carroll</i> Mark L. Carroll R.C.E. 31515 City Engineer</p>	<p>Sheet 1 of 2</p>
	<p>Date: 4-21-04</p>	

NOTES:

1. CURB OPENING SHALL CONFORM TO ADJACENT CURB ALIGNMENT.
2. REINFORCING STEEL FOR WALLS AND FLOOR SHALL BE #4 BARS @ 18 INCHES O.C. BOTH WAYS, PLACED 1-1/2 INCHES CLEAR TO INSIDE OF CATCH BASIN.
3. STEPS:
  - a. 'H' IS 3 FEET- 6 INCHES OR LESS.  
NO STEPS REQUIRED
  - b. 'H' IS GREATER THAN 3 FEET- 6 INCHES.  
INSTALL LOWEST STEP 24 INCHES ABOVE FLOOR AND OTHER STEP(S) AT 16 INCH INTERVALS TO WITHIN 18 INCHES OF THE TOP OF THE BOX.
  - c. PLACE STEPS IN A WALL THAT DOES NOT CONTAIN THE PIPE PENETRATION.
4. PIPES MAY BE PLACED IN ANY WALL.
5. CATCH BASIN FLOORS SHALL BE SLOPED FROM ALL DIRECTIONS TOWARD OUTLET PIPE AND SHALL HAVE A WOOD TROWEL FINISH.
6. DIMENSIONS:
  - H = 4 FEET- 0 INCHES UNLESS OTHERWISE SHOWN.
  - T = 6 INCHES FOR H = 8 FEET- 0 INCHES OR LESS.
  - T = 8 INCHES FOR H = 8 FEET- 1 INCH TO 20 FEET - 0 INCHES.
7. CURB FACE AT CATCH BASIN OPENING SHALL BE EQUAL TO EXISTING C.F. + DEPTH OF LOCAL DEPRESSION (A), SEE STD. PLAN No. 303.
8. CONCRETE:  $f'c = 3250$  psi AT 28 DAYS.
9. TREMIES OR OTHER SUITABLE CONVEYANCE FOR CONCRETE SHALL BE REQUIRED WHEN CONCRETE FALLS MORE THAN 6- FEET.

REVISIONS	CITY OF IRVINE	STANDARD PLAN No.
	<b>NOTES FOR STANDARD PLAN 300</b>	<b>300</b>
	 Approved by: Mark L. Carroll R.C.E. 31515 City Engineer	Date: 4-21-04
		Sheet 2 of 2