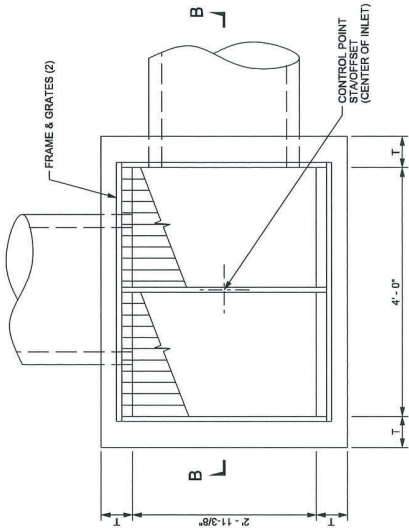
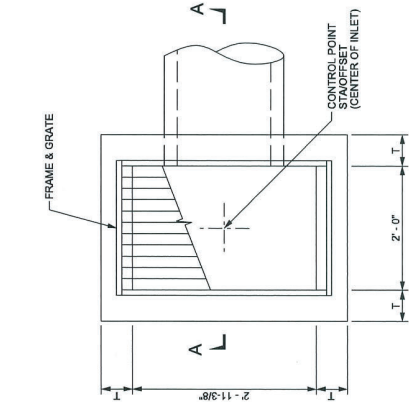


**GENERAL NOTES:**

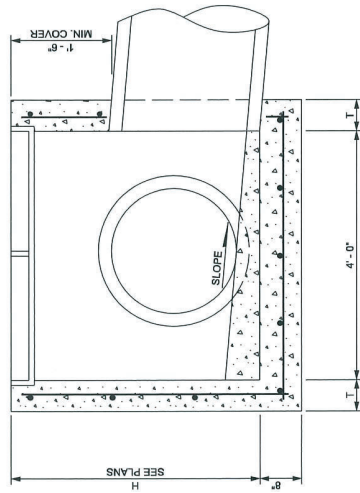
1. CONCRETE SHALL CONFORM TO THE REQUIREMENTS OF FP-03 SECTION 801 MINOR CONCRETE STRUCTURES.
2. REINFORCING STEEL SHALL CONFORM TO ASTM A-615 GRADE 40 WITH MAXIMUM SPACING OF 18" ON CENTER. REINFORCING SHALL BE WIRED TIGHTLY AT ALL INTERSECTIONS AND EMBEDDED AT LEAST 2" CLEAR OF ALL CONCRETE SURFACES.
3. WALL THICKNESS T = 6" FOR H < 8'-0". T = 8" FOR H = 8'-1" TO 20'-0".
4. EXPOSED CONCRETE EDGES SHALL BE CHAMFERED 1".
5. PIPES CAN BE PLACED IN ANY WALL.
6. INLET FLOORS SHALL BE SLOPED TO DRAIN FROM ALL DIRECTIONS TO THE OUTLET PIPE.
7. FOR STEP DETAILS, SEE STD. 604-02. STEPS SHALL NOT BE PROVIDED FOR INLETS DEEPER THAN 10 FEET.
8. FOR FRAME AND GRATE DETAILS, SEE STD. 604-04.



PLAN

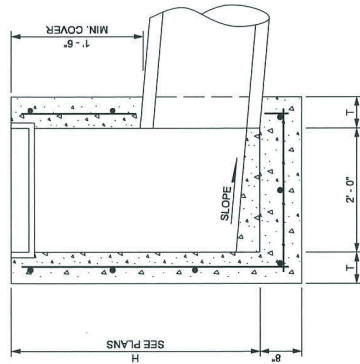


PLAN



SECTION B-B

TYPE 2



SECTION A-A

TYPE 1

SIGNED ORIGINAL ON FILE

APPROVED FOR USE ON DPW PROJECTS

Chief Engineer, Highways  
Department of Public Works  
*[Signature]*

DATE: 09.11.12

STANDARD NO. 604-03

GRATED INLET - TYPE 1 & TYPE - 2

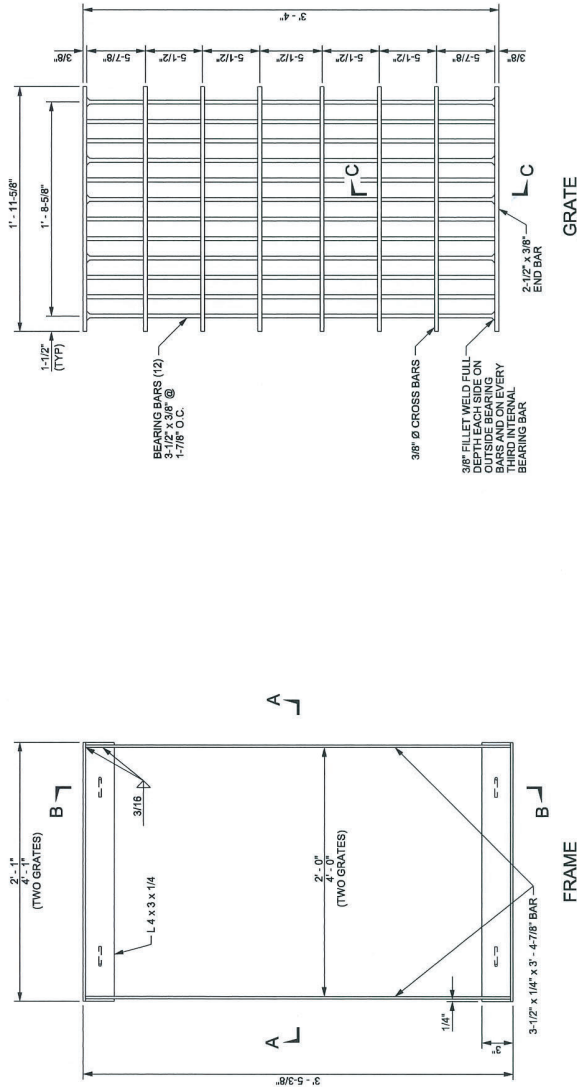
Guam Department of Public Works  
542 North Marine Corps Drive  
Tamuning, Guam 96913  
Tel: (671) 646-3131  
Fax: (671) 649-6178



REVISION	DATE	BY	DESCRIPTION

**GENERAL NOTES:**

1. STEEL STRUCTURAL SHAPES SHALL CONFORM TO ASTM A-36;
2. FRAMES AND GRATES SHALL BE HOT-DIP GALVANIZED AFTER FABRICATION IN CONFORMANCE WITH ASTM A123 (ASTM 123).
3. COMMERCIAL PREFABRICATED FRAMES AND GRATES MAY BE USED PROVIDED THEY ARE APPROVED BY THE DEPARTMENT OF PUBLIC WORKS. SUBJECT TO APPROVAL BY THE DEPARTMENT OF PUBLIC WORKS.



**GRATE**

**SECTION C-C**

**FRAME**

**SECTION A-A**

**SECTION B-B**

**FRAME**

SIGNED  
ORIGINAL  
ON FILE

APPROVED FOR USE ON DPW PROJECTS  
 DATE: 10-14-12  
 CHIEF ENGINEER, PUBLIC WORKS  
 DEPARTMENT OF PUBLIC WORKS  
 STANDARD NO. 604-04

**FRAME & GRATE DETAILS**

Guam Department of Public Works  
 542 North Marine Corps Drive  
 Tamuning, Guam 96913  
 Tel: (671) 646-3131  
 Fax: (671) 649-6178



REVISION	DATE	BY	DESCRIPTION