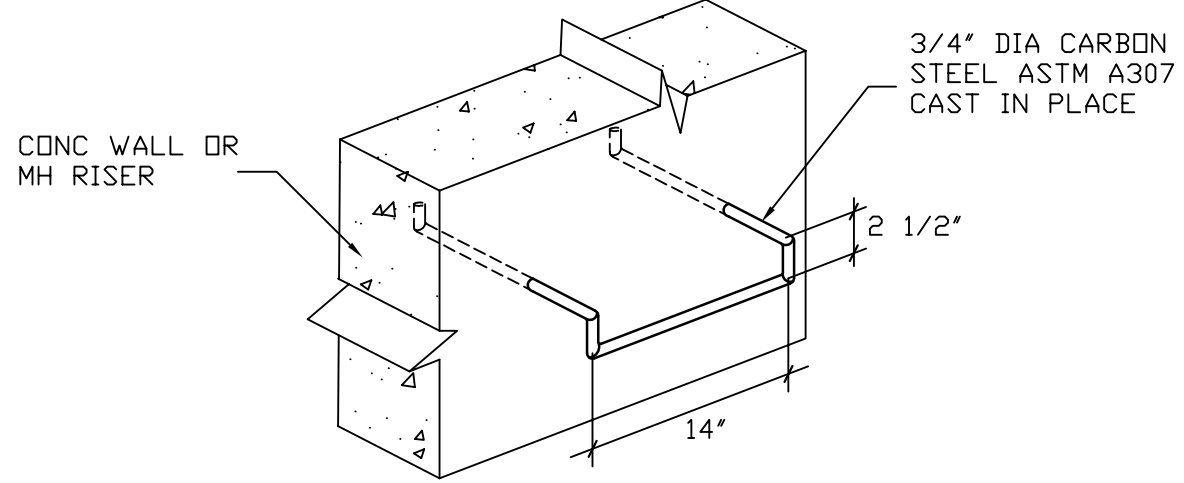



PLASTIC LINER WITH LOCKING EXTENSIONS

SECTION A-A



DETAIL

TYPE 3 MANHOLE STEP

| | |
|--|-------------|
|  LBIW Inc. 2020 WEST 14TH STREET LONG BEACH, CA. 90813 Tel No. : (562) 432.5451 Fax No. : (562) 432.5929 www.lbiw.com | |
| PRODUCT NUMBER | |
| LB 404C-14 | |
| LOAD RATING | |
| COATING | |
| CARBON STEEL ASTM A307 | |
| EST. WEIGHT | |
| 5 1/2 LBS | |
| SPECIFICATION | |
| APWA 635-2 | |
| OPEN AREA | |
| DESIGNATES MACHINED | |
| DRAWN | DATE |
| EB | 01-09-09 |
| REVISED | DATE |
| 05-22-09 | |
| REFERENCE INFORMATION | |
| SECTION 07 | |