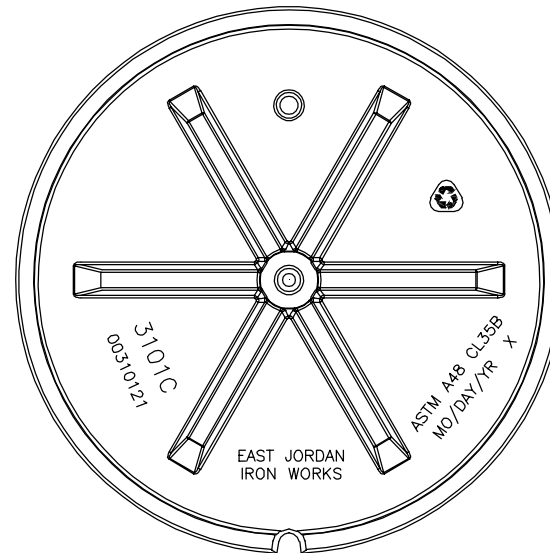
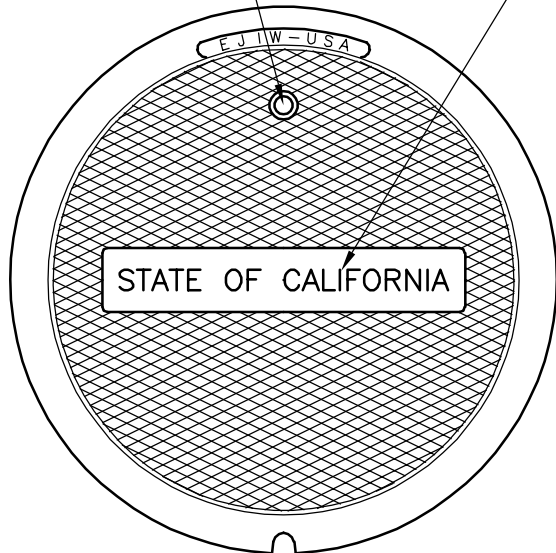


(1) 7/8" [22mm]
DIA. HOLE

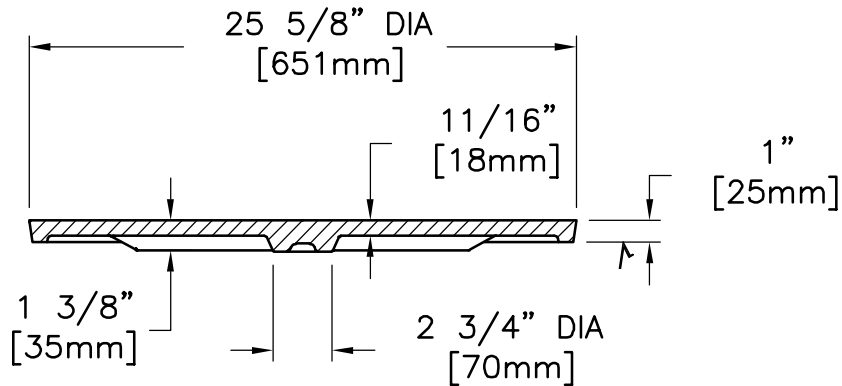
1" (25mm) LETTERING
(RECESSED FLUSH)



(1) OPEN
PICKHOLE

1 1/8"
[29mm]

BOTTOM VIEW



SECTION

√ MACHINED SURFACE

**EAST JORDAN
IRON WORKS, INC.**
P.O. BOX 439
EAST JORDAN, MI. 49727
1-800-874-4100
FAX 231-536-4458

DRAWN DEW	DATE 02/10/04
--------------	------------------

APPROVED	DATE
----------	------

**MANHOLE COVER
LBIW X101**

PRODUCT NO.
00310121

CATALOG NO.
3101C

REF. PRODUCT DRAWING
00310121

EST. WT.
COVER: 95 LBS 43kg

OPEN AREA
N/A

MAT'L SPEC.
COVER - GRAY IRON
ASTM A48 CL35B

LOAD RATING
NON-TRAFFIC