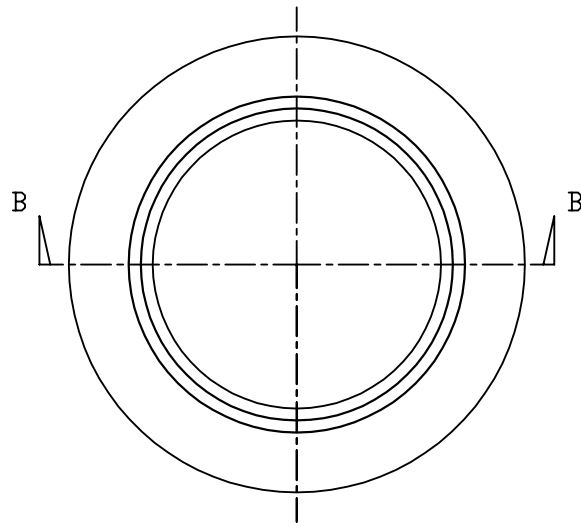
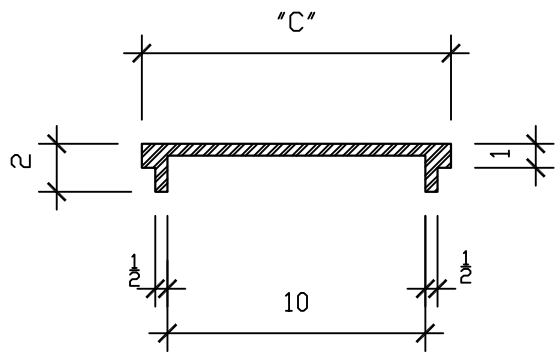


PLAN

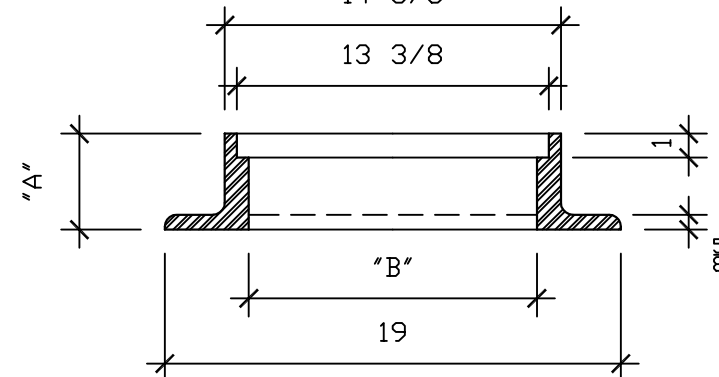


PLAN



SECTION A-A

ACCESS COVER



SECTION B-B

ACCESS FRAME

NOTE : ALL MEASUREMENT SARE IN INCHES

SEWER CLEANOUT ASSEMBLY

CATALOG NUMBER	OVERALL HEIGHT "A"	CLEAR OPENING "B"	O.D. OF COVER "C"	APPROX. WEIGHT
LB 1242	3 7/8"	11 3/4"	12 13/16"	85 lbs

**LBIW Inc.**  
 2020 WEST 14TH STREET  
 LONG BEACH, CA. 90813  
 Tel No. : (562) 432.5451  
 Fax No. : (562) 432.5929  
 www.lbiw.com

**PRODUCT NUMBER**  
**LB 1242/X-508B**

**LOAD RATING**  
 TRAFFIC RATED  
**COATING**  
 ASPHALTUM (BLACK)

**EST. WEIGHT**  
 WEIGHTS MAY VARY  
 MINUS 5 %, PLUS 10 %

**SPECIFICATION**

<b>DRAWN</b> EB	<b>DATE</b> 01-14-09
<b>REVISED</b> 02-18-09	<b>DATE</b>

**REFERENCE INFORMATION**