

EJIW EAST JORDAN
IRON WORKS EST. 1883

800-626-4653
www.ejiw.com
MADE IN USA

PRODUCT NUMBER

00316022

CATALOG NUMBER

3160C

COVER

LOAD RATING

HEAVY DUTY

COATING

DIPPED

ESTIMATED WEIGHT

COVER: 200 LBS 91kg

MATERIAL SPECIFICATION

COVER - GRAY IRON
ASTM A48 CL35B

OPEN AREA

N/A

✓ DESIGNATES
MACHINED SURFACE

DRAWN
JIJ

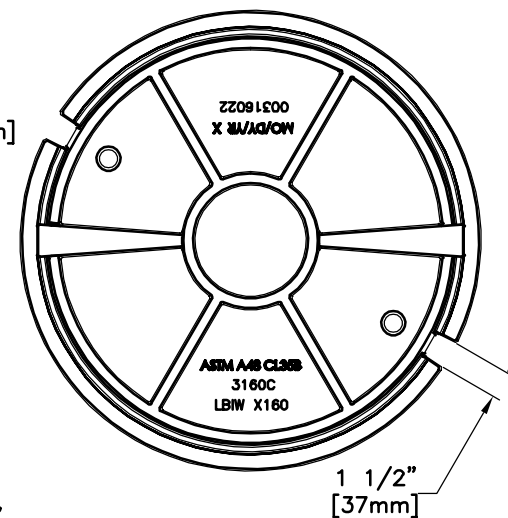
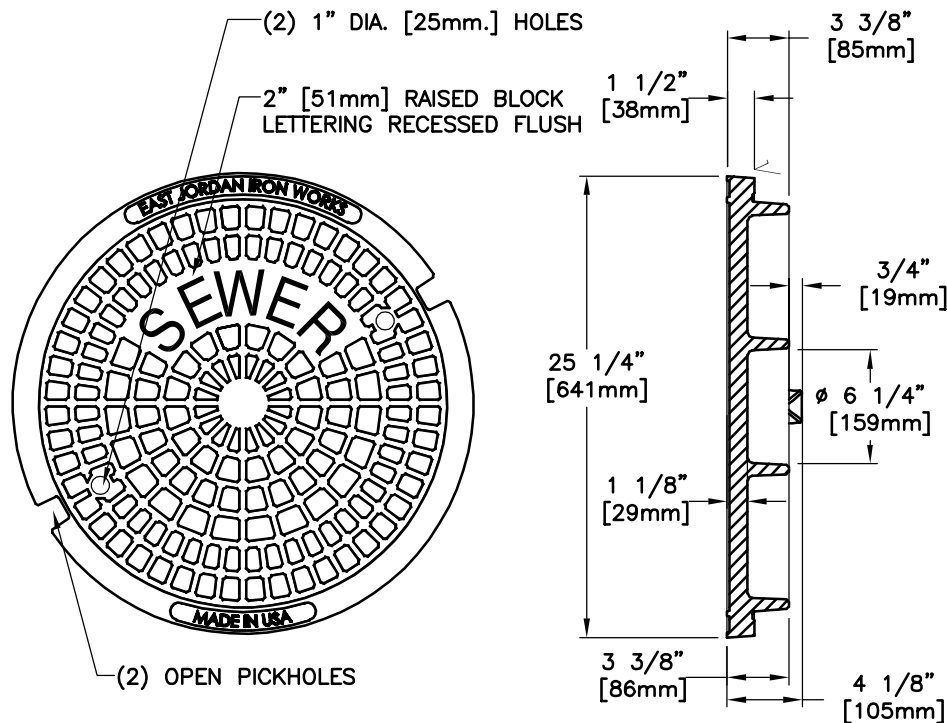
DATE
09/04/03

LAST REVISED

DATE

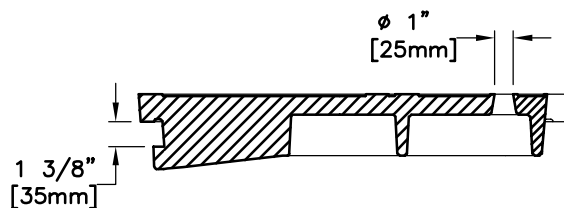
REFERENCE INFORMATION

00316020



BOTTOM VIEW

SECTION



SECTION

CONFIDENTIAL: This drawing is the property of East Jordan Iron Works, Inc. and embodies confidential information, trade secret information, and/or know how that is the property of East Jordan Iron Works, Inc. © Copyright 2007 East Jordan Iron Works, Inc.