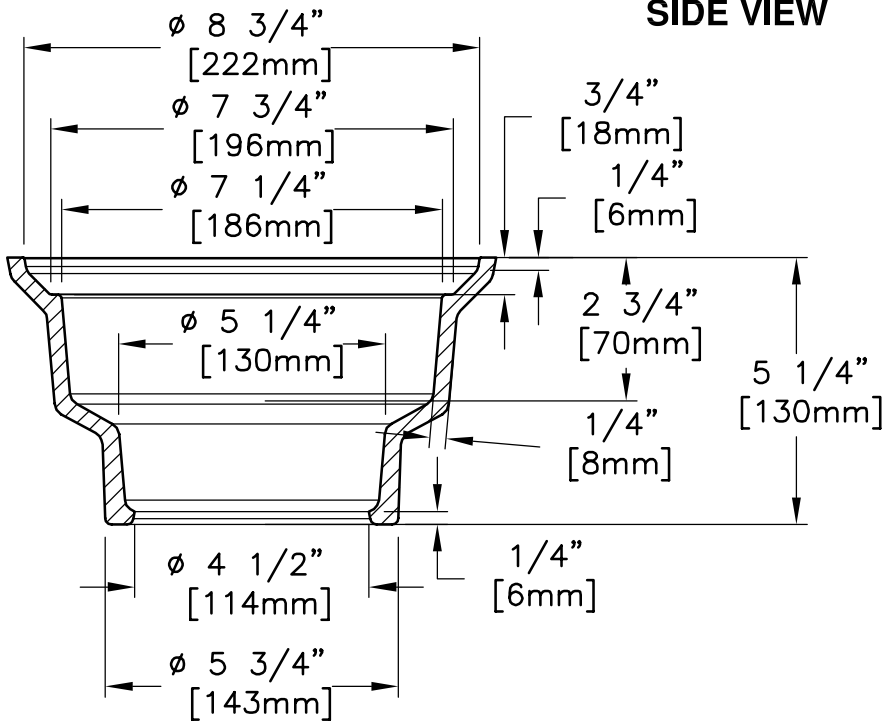


SIDE VIEW

BOTTOM VIEW



FRAME SECTION

EJIW EAST JORDAN
 IRON WORKS EST.1883
 800-626-4653
 www.ejiw.com
 MADE IN USA

PRODUCT NUMBER
00350510

CATALOG NUMBER
3505Z

**AREA DRAIN
 FRAME**

LOAD RATING
LIGHT DUTY

COATING
DIPPED

ESTIMATED WEIGHT
 FRAME: 11 LBS 5kg

MATERIAL SPECIFICATION
 FRAME - GRAY IRON
 ASTM A48 CL35B

OPEN AREA
 N/A

√ DESIGNATES MACHINE SURFACE

DRAWN SMH	DATE 04/03/06
--------------	------------------

LAST REVISED SMH	DATE 07/11/06
---------------------	------------------

REFERENCE INFORMATION

00350510