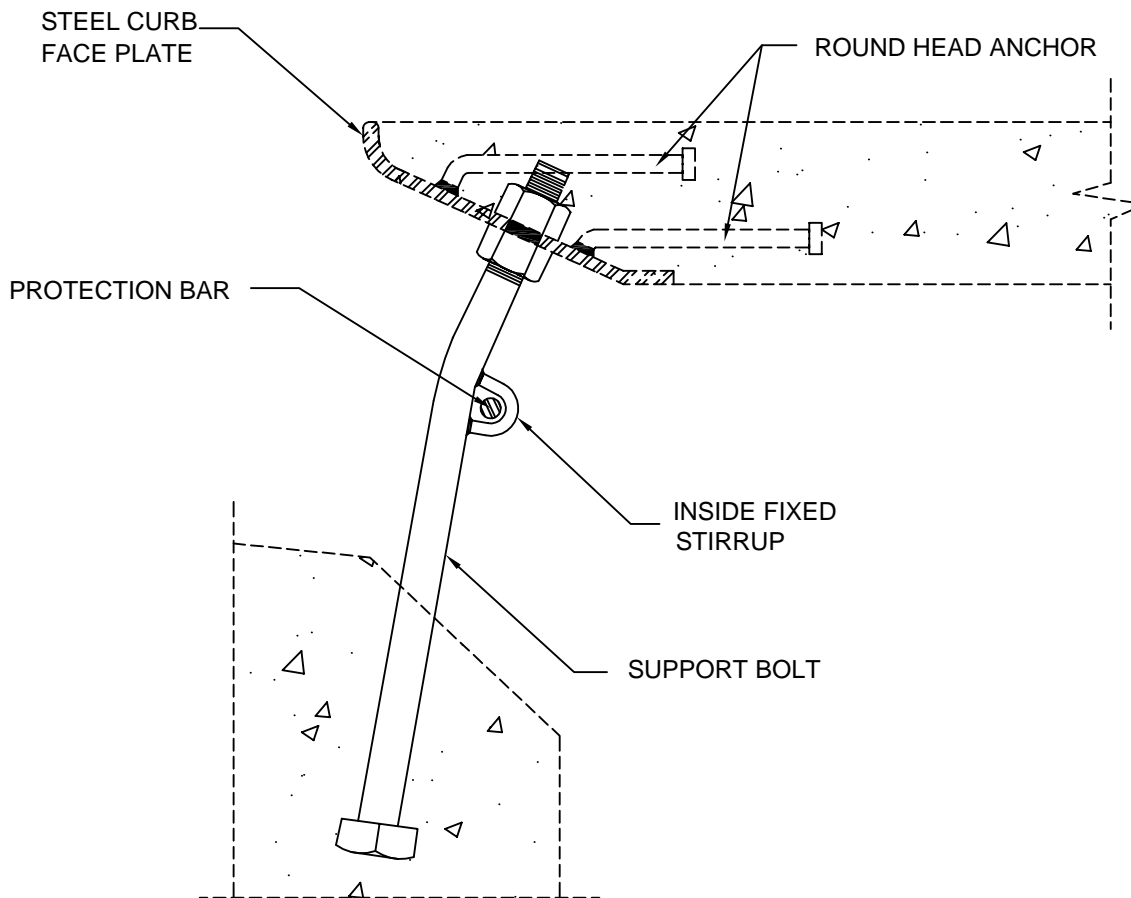




**LBIW Inc.**

2020 WEST 14TH STREET  
 LONG BEACH, CA. 90813  
 Tel No. : (562) 432.5451  
 Fax No. : (562) 432.5929  
 www.lbiw.com



NOTE : FOR 4 1/2" AND 6" CONCRETE DECKS

**PRODUCT NUMBER**

**LB 409P**  
**1" SUPPORT**  
**BOLT**  
 WITH INSIDE  
 FIXED STIRRUP

**LOAD RATING**

**COATING**

GALVANIZED FINISH

**EST. WEIGHT**

**SPECIFICATION**

CITY OF IRVINE  
 CITY OF RIVERSIDE  
 COUNTY OF RIVERSIDE

**OPEN AREA**

**DESIGNATES MACHINED**

**DRAWN**

**DATE**

EB

04-29-09

**REVISED**

**DATE**

**REFERENCE INFORMATION**

SECTION 07